

Quarter-turn locks, stainless steel with T-grip

Item description/product images



Description

Material:

Stainless steel 1.4401.

Version:

Bright.

Grip polished.

Note:

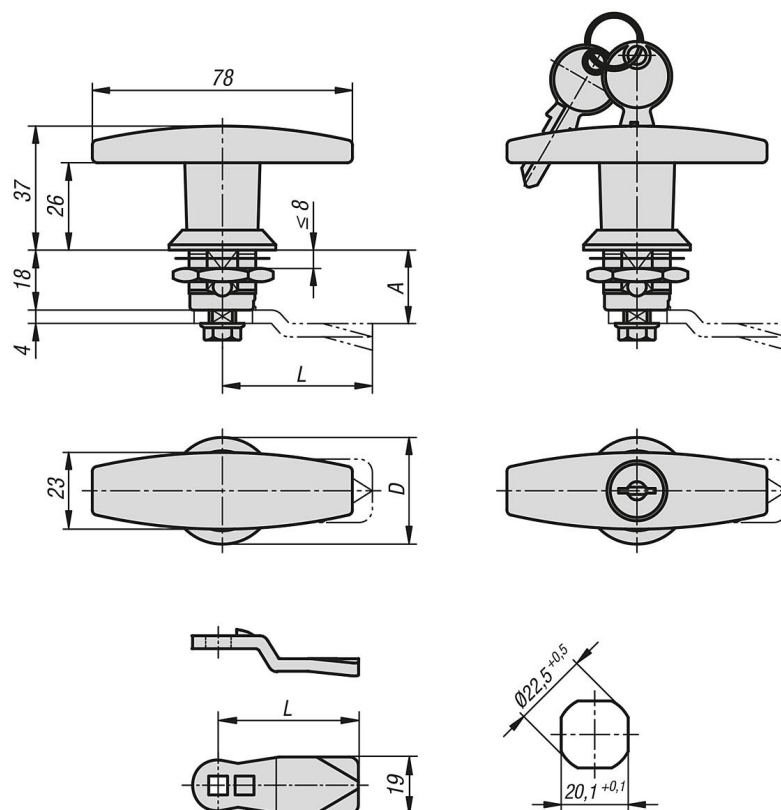
Quarter-turn lock with T-grip. For right or left mounting with 90° closing. The quarter-turn lock can be installed pre-assembled. Supplied with standard stainless-steel nut. The lockable quarter-turn locks are each supplied with 2 keys. Rating IP65. Please order required tongue version separately. Every tongue can be combined with this housing.

The cylinder locks have a single-key system i.e. the same key works in all locks.

On request:

Available for door thickness 20 and 40 mm.

Drawings



Quarter-turn locks, stainless steel with T-grip**Overview of items**

Order No.	Actuation	D
K1356.1186	T-Grip	32
K1356.2186	lockable T-grip	32