

Ball transfer units heavy duty

Item description/product images



Description

Material:

Balls stainless steel 1.4021.
Housing stainless steel 1.4301.

Version:

Bright.

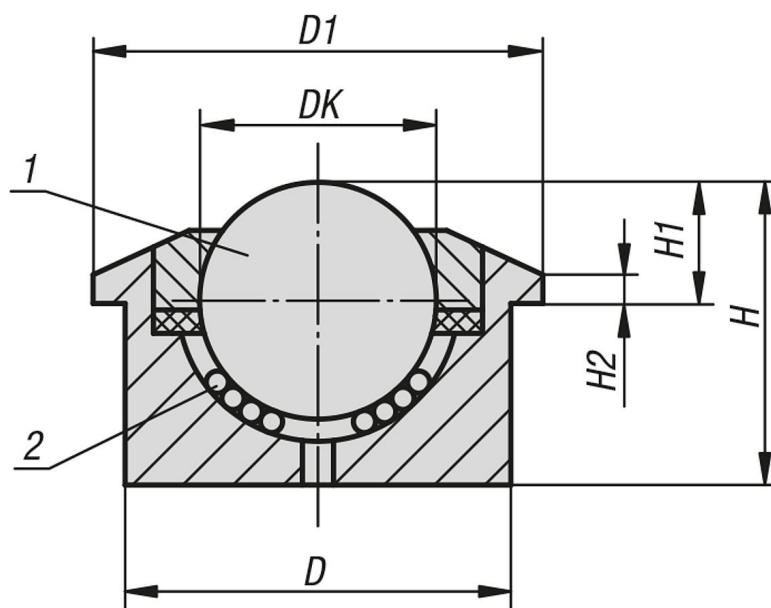
Note:

Solid steel ball transfer units are designed for long life by impact loading.
The unit includes dust seals and self-cleaning apertures.
All units are supplied with solid steel housings and hardened surfaces.

Drawing reference:

- 1) load ball
- 2) bearing balls

Drawings



Overview of items

Ball transfer units heavy duty

Order No.	DK	D1	D	H	H1	H2	Load rating C (N)
K1323.322	22,2	45	36±0,080	30,5	9,8±0,2	3	1200
K1323.330	30	55	45±0,080	36,8	13,8±0,2	3,4	2000

