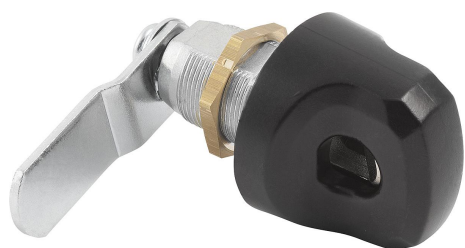


## Quarter-turn locks free-turning

### Item description/product images



### Description

#### Material:

Housing and actuator die-cast zinc.  
Nut brass.  
Tongue steel.

#### Version:

Housing trivalent blue passivated.  
Lever black KTL coated.  
Tongue electro zinc-plated.

#### Note:

Particularly suitable for steel cabinets, lockers in changing rooms, schools, leisure facilities and industrial companies.

#### Type of operation:

The integrated free-turning function provides higher security against violent actuation compared to conventional locks.

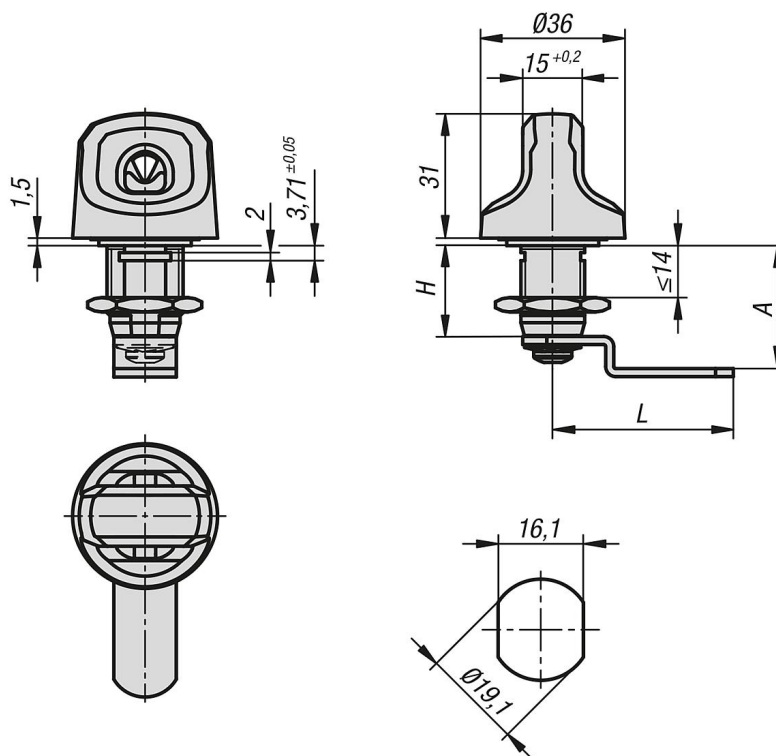
#### Assembly:

The quarter-turn lock can be installed pre-assembled.

#### Attention:

Optimum functionality is guaranteed with padlocks with a shackle diameter of  $\varnothing 6 - \varnothing 8$  mm.

### Drawings



## Quarter-turn locks free-turning

### Overview of items

---

#### Quarter-turn lock, free-turning

Order No.	A	L	H
K1275.22224	22,4	44	22,4
K1275.22248	24,8	42	22,4
K1275.22304	30,4	45	22,4
K1275.22359	35,9	49	22,4
K1275.22424	42,4	45	22,4