

Claw clamp for workpiece stabiliser

Item description/product images



Description

Material:

Steel.

Version:

Claw clamps black oxidised.

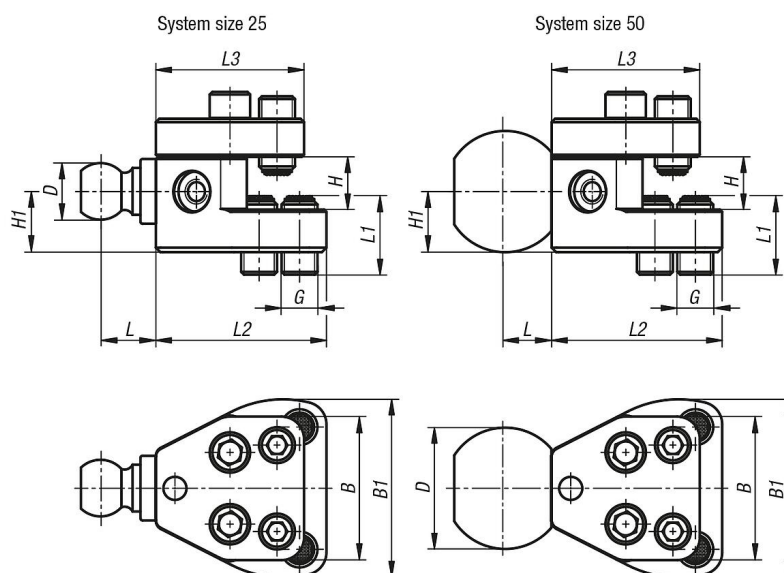
Clamping ball bright.

Note:

The clamping unit is used for connecting to the workpiece. The clamping ball can be attached to several points on the claw clamp. This enables flexible adjustment of the claw clamp.

The clamping balls can be exchanged between the two system sizes.

Drawings



Overview of items

Clamp strap for workpiece stabiliser

Order No.	Size	B	B1	D	G	H clamping range	H1	L	L1	L2	L3
K1192.258076	25	64	79	25,4	M16	0-45	27	25	25	76	66
K1192.508076	50	64	79	50	M16	0-45	27	20	25	76	66