

Fastening set for Zero Point Clamping Technology workpiece stabiliser

Item description/product images

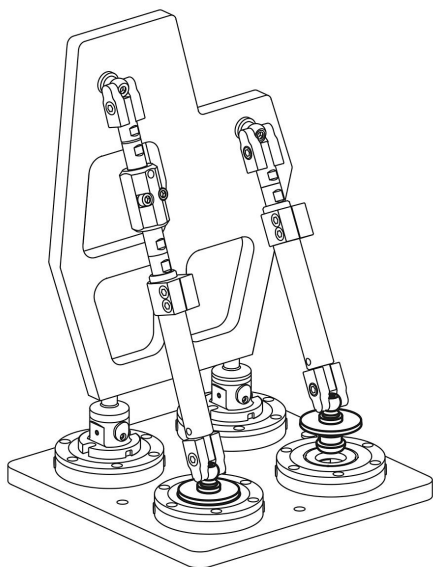


Description

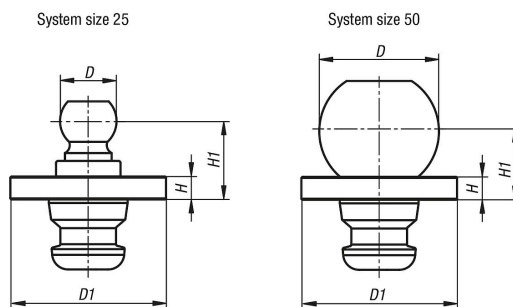
Material:
Steel.

Note:
The fastening set is suitable for adaption to UNILOCK zero point clamping technology.

The clamping balls can be exchanged between the two system sizes.



Drawings



Overview of items

Fastening set for Zero Point Clamping Technology workpiece stabiliser

Order No.	Size	D	D1	H	H1
K1190.2540	25	25,4	78	10	35
K1190.5040	50	50	78	10	30

