

Fine adjustment for workpiece stabiliser

Item description/product images



Description

Product description:

The fine adjustment enables the distance between the workpiece and support table to be precisely set. If required, the fine adjustment can be used to set the workpiece stabiliser under tensile or compressive load.

Material:

Steel.

Version:

Adapter piece black oxidised.

Half shells nitrided.

Note:

Only the fine adjuster K1187.25120150 is required for workpiece stabiliser system size 25.

When using fine adjustment on the workpiece stabiliser system size 50, the fine adjuster K1187.25120150 and the adapter K1187.50 (consisting of 2 adapter pieces and a grub screw) are required at the respective ends.

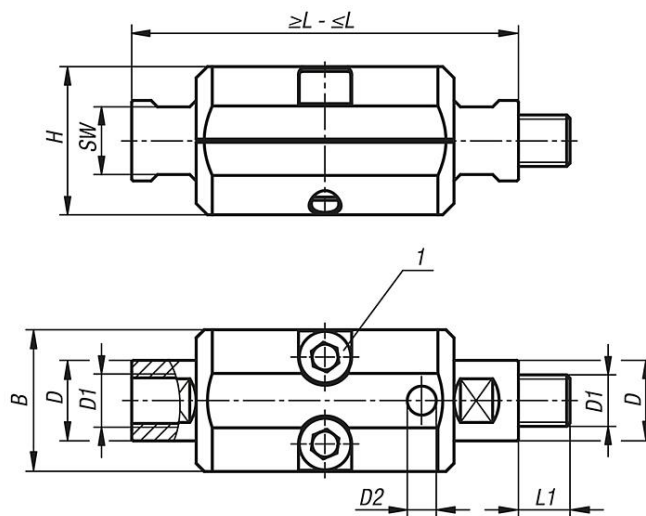
Drawing reference:

1) DIN EN ISO 4762 M10 cap screw

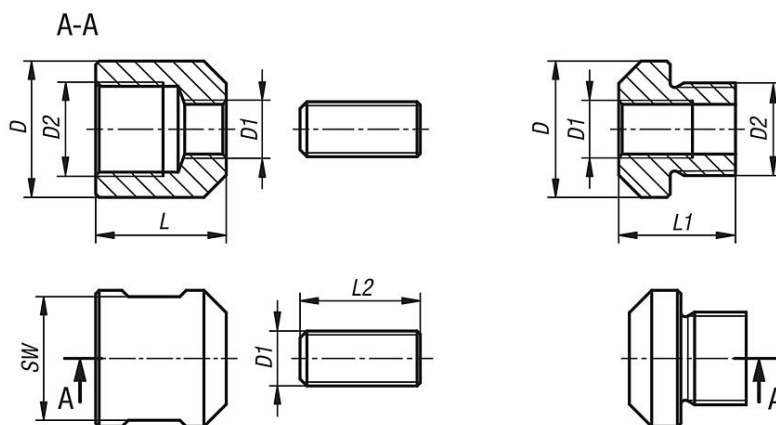
Fine adjustment for workpiece stabiliser

Drawings

System size 25



Adapter for system size 50



Overview of items

Fine adjustment for workpiece stabiliser

| Order No. | Item | Size | B | D | D1 | D2 | H | L | | L | L1 | L2 | SW |
|----------------|-----------------|------|----|------|---------|-------|----|------|------|----|----|----|----|
| | | | | | | | | min. | max. | | | | |
| K1187.25120150 | Fine Adjustment | 25 | 44 | 25 | M16x1,5 | 9 | 46 | 120 | 150 | - | 16 | - | 21 |
| K1187.50 | Adapter | 50 | - | 39,7 | M16x1,5 | M27x2 | - | - | - | 38 | 34 | 35 | 36 |