

## Spring hinges aluminium profile, 1.3 Nm, spring closed

### Item description/product images



### Description

**Material:**

Aluminium 6060 T5.

End caps PA 6.6.

Washers POM.

**Version:**

Black anodised.

Colourless anodised.

**Note:**

These hinges have steel tension springs which enables doors and hatches to open or close automatically.

Opening angle 180°.

**Spring torque:**

M(0°): 0.5 Nm / M(90°): 0.7 Nm / M(180°): 1 Nm

These hinges have a more than 10,000 cycle service life.

Fastened using DIN 912/EN ISO 4762 socket head screws.

**Temperature range:**

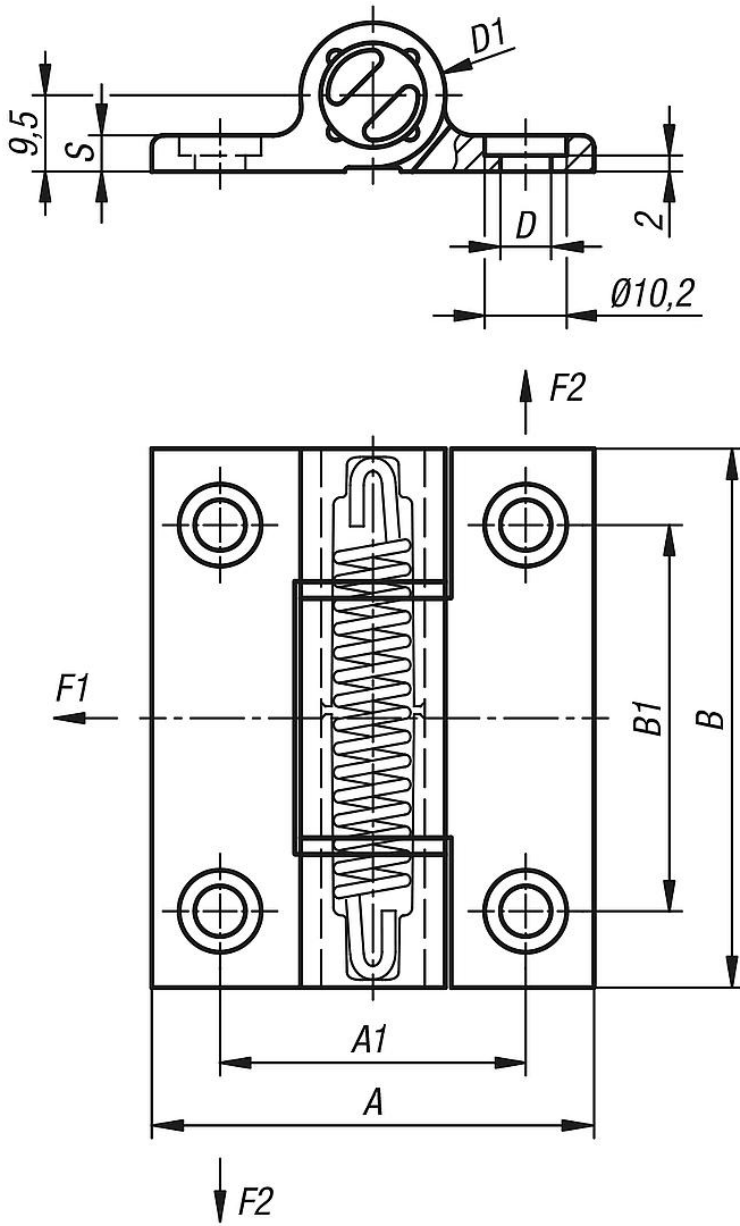
From -20°C to +80°C

**Accessory:**

Socket head screws with hexagon socket DIN 912/EN ISO 4762.

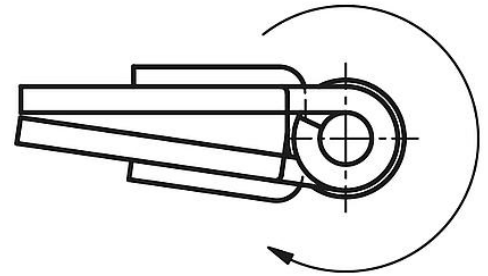
Spring hinges aluminium profile, 1.3 Nm, spring closed

Drawings



Hinges with closing spring

Door rotation



Overview of items

Order No.	Main colour	Surface finish body	A	A1	B	B1	D	D1	S	F1 N	F2 N
K1181.556711	black	anodised	55	38	67	48	6,3	18	4,5	5000	4200
K1181.55671	colourless	anodised	55	38	67	48	6,3	18	4,5	5000	4200