

Hinges steel, maintenance-free, Form C

Item description/product images

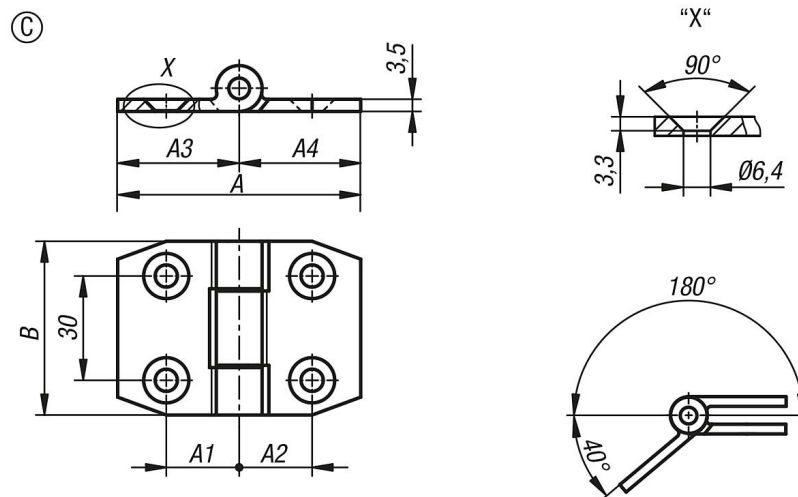


Description

Material:
Profile steel.
Bush Metaloplast.

Version:
Steel parts electro zinc-plated.

Drawings



Overview of items

Order No.	Form	A	A1	A2	A3	A4	B
K1141.06353550	C	70	21	21	35	35	50