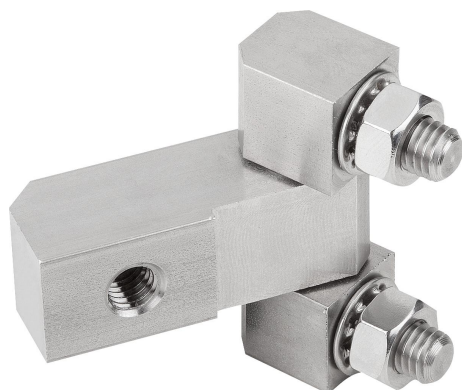


Block hinges with fastening nuts, long version

Item description/product images



Description

Material:

Steel.
Stainless steel 1.4305.
Stainless steel A4 1.4401.

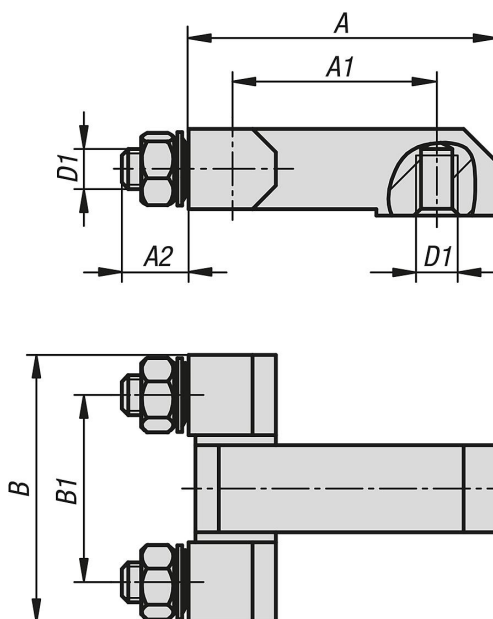
Version:

Steel electro zinc-plated.
Stainless steel bright.

Note:

Block hinges with fastening nuts and extended middle section for inset doors.
Mounted with nuts (M6 or M8) from inside.
The hinge can be mounted left or right. The opening angle is 180°.
Supplied unassembled. Fastening nuts and washers are supplied.

Drawings



Overview of items

Block hinges with fastening nuts, long version

Order No.	Main material	A	A1	A2	B	B1	D1
K1143.0630028	steel	45	30	10	40	28	M6
K1143.0829035	steel	50	29	14	51	35	M8
K1143.10630028	stainless steel	45	30	10	40	28	M6
K1143.10829035	stainless steel	50	29	14	51	35	M8
K1143.20630028	stainless steel A4	45	30	10	40	28	M6
K1143.20829035	stainless steel A4	50	29	14	51	35	M8

