

Palm grips similar to DIN 6335, stainless steel, Form L, with external thread.

Item description/product images



Description

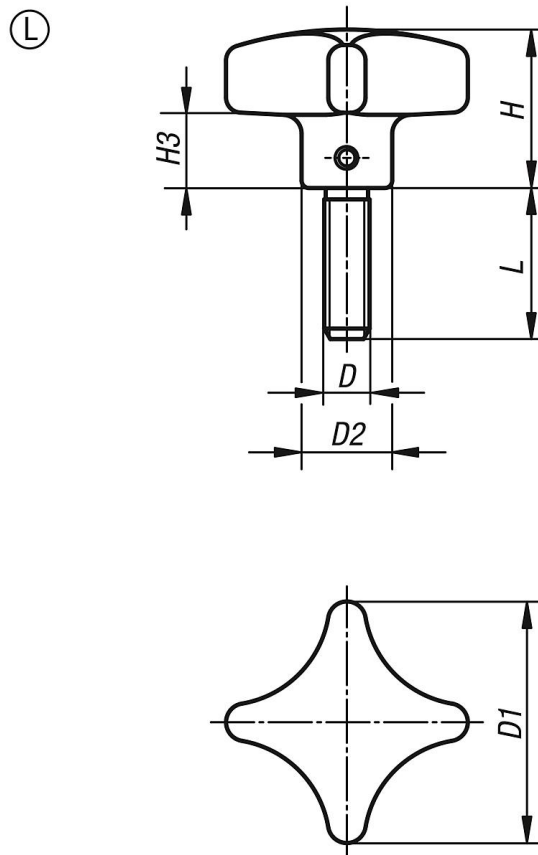
Material:

Stainless steel 1.4308.
 Grub screw stainless steel 1.4305.
 Pin stainless steel 1.4310.

Version:

Palm grip blasted.
 Grub screw and pin bright.

Drawings



Overview of items

Order No.	Form	Surface finish body	D	D1	D2	H	H3	L
K0146.6032063X15	L	blasted	M6	32	12	21	10	15

Palm grips similar to DIN 6335, stainless steel, Form L, with external thread.

Overview of items

Order No.	Form	Surface finish body	D	D1	D2	H	H3	L
K0146.6032063X20	L	blasted	M6	32	12	21	10	20
K0146.6032063X25	L	blasted	M6	32	12	21	10	25
K0146.6032063X30	L	blasted	M6	32	12	21	10	30
K0146.6032063X40	L	blasted	M6	32	12	21	10	40
K0146.6032063X50	L	blasted	M6	32	12	21	10	50
K0146.6040083X20	L	blasted	M8	40	14	26	14	20
K0146.6040083X25	L	blasted	M8	40	14	26	14	25
K0146.6040083X30	L	blasted	M8	40	14	26	14	30
K0146.6040083X40	L	blasted	M8	40	14	26	14	40
K0146.6040083X50	L	blasted	M8	40	14	26	14	50
K0146.6050103X20	L	blasted	M10	50	18	34	20	20
K0146.6050103X25	L	blasted	M10	50	18	34	20	25
K0146.6050103X30	L	blasted	M10	50	18	34	20	30
K0146.6050103X40	L	blasted	M10	50	18	34	20	40
K0146.6050103X50	L	blasted	M10	50	18	34	20	50
K0146.6063123X20	L	blasted	M12	63	20	42	25	20
K0146.6063123X30	L	blasted	M12	63	20	42	25	30
K0146.6063123X40	L	blasted	M12	63	20	42	25	40
K0146.6063123X50	L	blasted	M12	63	20	42	25	50