

Quarter-turn locks, stainless steel, lockable

Item description/product images



Description

Material:

Quarter-turn lock 1.4401 stainless steel.

Tongue 1.4301 stainless steel.

Version:

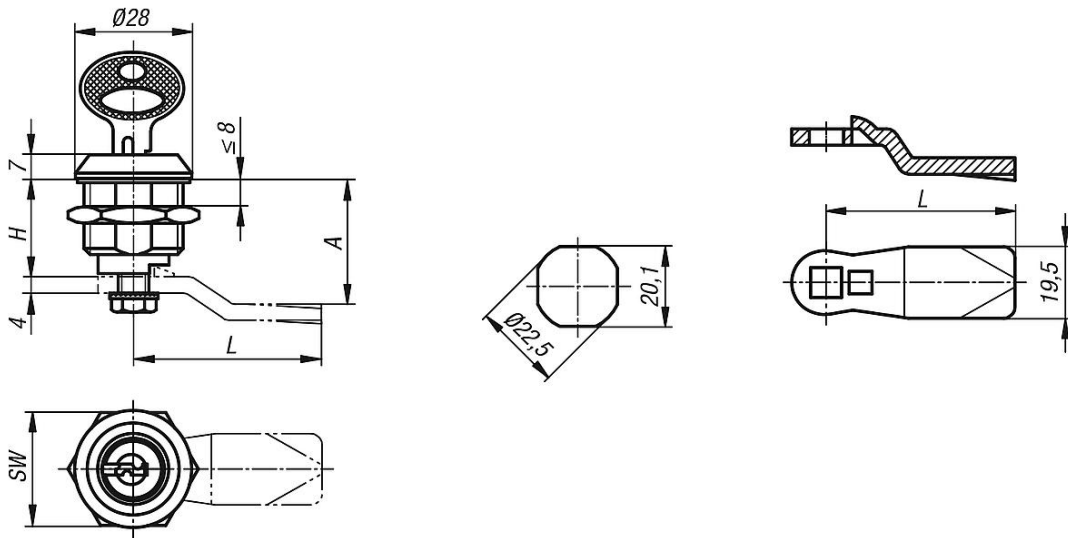
Bright.

Note:

Lockable quarter-turn lock for right or left mounting with 90° closing. The quarter-turn lock can be installed pre-assembled. This lockable quarter-turn lock is supplied with 2 keys. The key can be removed in both the closed and open position. The cylinder locks have a single-key system i.e. the same key works in all locks (lock type 1333).

Please order required tongue separately. Every tongue can be combined with this housing.

Drawings



Overview of items

Quarter-turn lock, stainless steel, lockable

Order No.	Actuation	H	SW
K1107.186	key single-key system	18	27

Tongue for quarter-turn lock

Order No.	A for housing length H=18	L
K1114.245X180	18	45
K1114.245X200	20	45
K1114.245X240	24	45

Quarter-turn locks, stainless steel, lockable**Overview of items**

Order No.	A for housing length H=18	L
K1114.245X280	28	45
K1114.245X320	32	45
K1114.245X340	34	45
K1114.245X360	36	45
K1114.245X380	38	45
K1114.245X400	40	45
K1114.245X420	42	45