

Quarter-turn locks security

Item description/product images



Description

Material:

Housing, actuator, nut and key die-cast zinc.
Flat seal rubber.

Version:

Housing and actuator chrome-plated or black powder-coated.
Key chrome-plated.

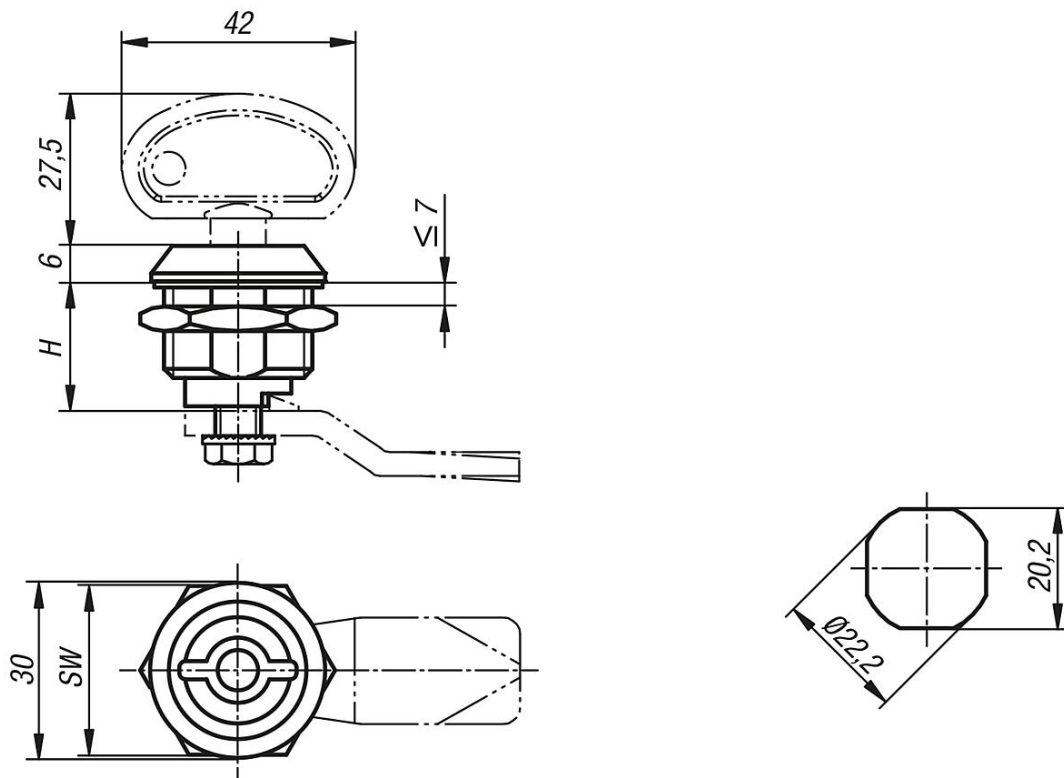
Note:

Security quarter turn lock with spring-loaded tongue. Right or left deployment. The lock can be installed pre-assembled. The fastening nut is an earthing nut with teeth one side.

Water and dust tight according to IP65.

Please order key separately. Lock can only be opened and closed with a specific key. The key can only be removed in the closed position. With an open lock the key acts as a grip.

Drawings



Overview of items

Order No.	Surface finish body	Actuation	H	SW	Order No Key
K0524.181	chromed	Key	18,5	27	K0524.9
K0524.182	powder-coated	Key	18,5	27	K0524.9

