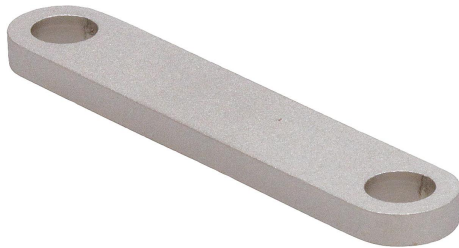


Shim plates for sliding clamps for slotted hole

Item description/product images

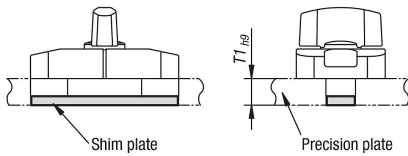


Description

Material:
Stainless steel

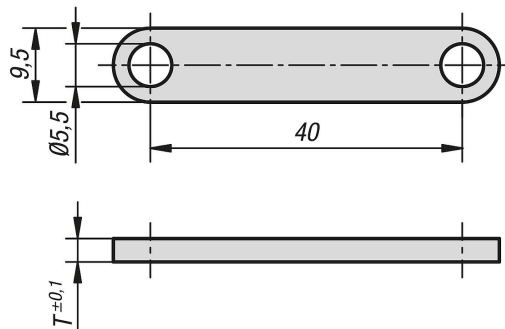
Version:
Bright.

Note:
Shim plates are required for sliding clamps for slotted holes with a plate thickness more than 3 mm or 6 mm.



Sliding clamp for slotted holes	Suitable shim plate	Precision plate T1 (mm)
	-	3 _{-0,25}
	-	5 _{-0,3}
	-	6 _{-0,3}
	-	8 _{-0,36}
	-	9 _{-0,36}

Drawings



Overview of items

Order No.	T
K1071.2	2
K1071.3	3