

## Clamping pins (high force)

### Item description/product images



### Description

**Material:**

Carbon steel.

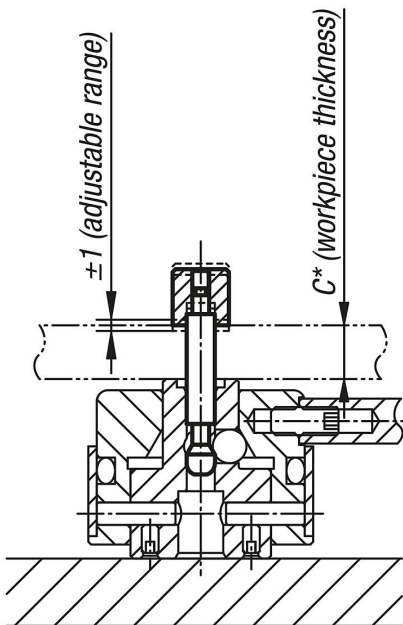
**Version:**

Pins tempered and ground.

Knurled knob tempered, black oxidised.

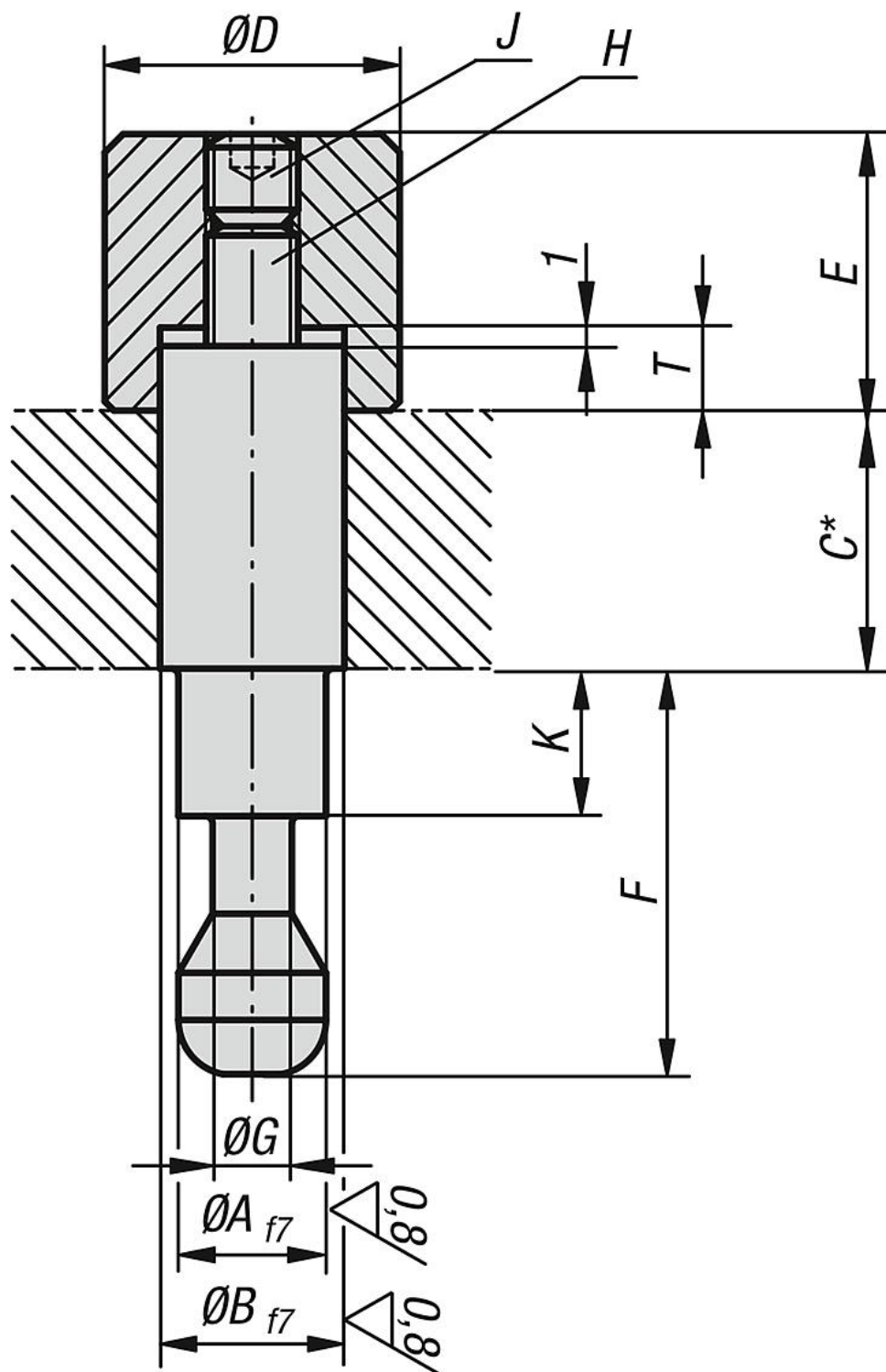
**Note:**

\* The clamping pin can be altered to suit the workpiece thickness.



Clamping pins (high force)

Drawings



Overview of items

Clamping pins (high force)

## Clamping pins (high force)

### Overview of items

Order No.	A	B	C	D	E	F	G	H	J	K	T	Suitable for
<b>K0911.412100</b>	12	12	100	18	23	38	6,5	M8	M8x8	21,5	7	K0911.506501
<b>K0911.416100</b>	12	16	100	24	23	38	6,5	M8	M8x8	21,5	7	K0911.506501
<b>K0911.516120</b>	16	16	120	24	29	48	9,5	M10	M10x10	28	9	K0911.638001
<b>K0911.520120</b>	16	20	120	30	29	48	9,5	M10	M10x10	28	9	K0911.638001