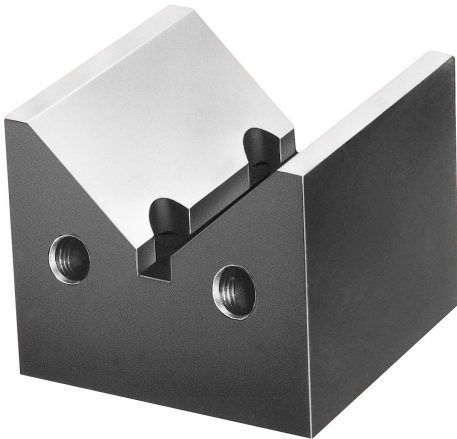


## V-blocks, vertical

### Item description/product images

---



### Description

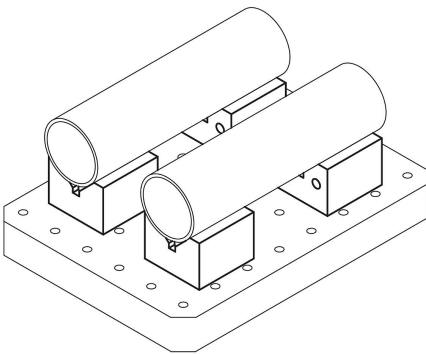
**Material:**

Carbon steel.

**Version:**

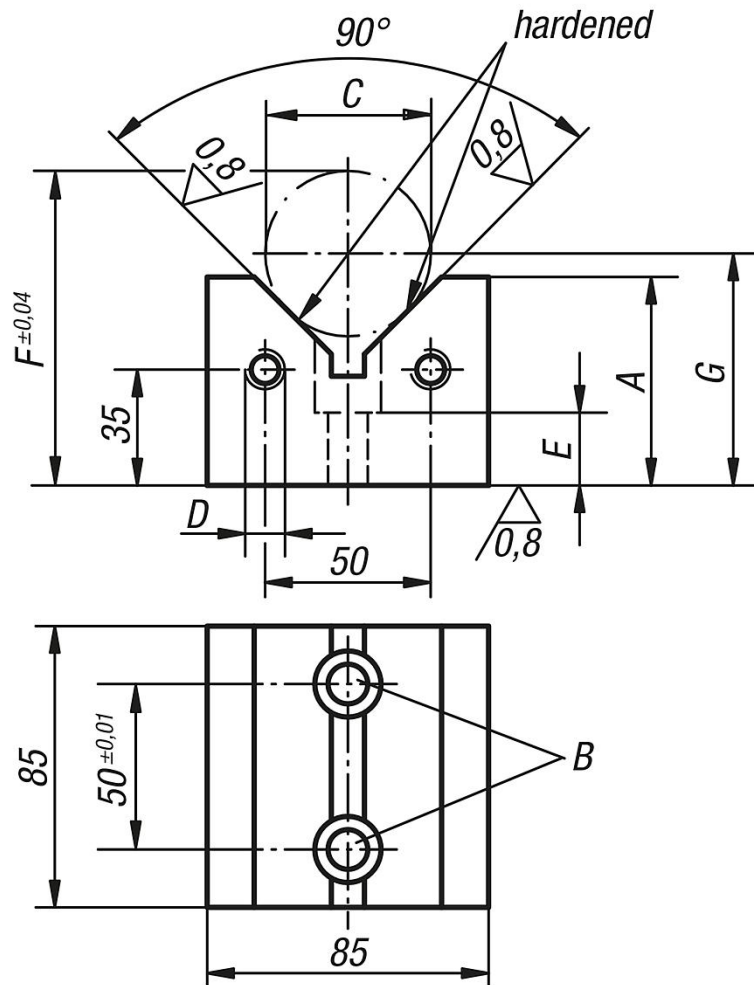
Black oxidised.

Prism and contact faces ground.



V-blocks, vertical

Drawings



Overview of items

V-blocks vertical

Order No.	A	B Ø for shoulder screw	C min.	C max.	C Test-Ø	D	E	F	G	Suitable shoulder screw
K0819.60012063	63	12 F7	15	80	50±0,003	M12	22	95,071	$C/2 \times \sqrt{2+34,716}$	K0815.112055
K0819.60012075	75	12 F7	15	100	70±0,003	M12	22	124,142	$C/2 \times \sqrt{2+39,645}$	K0815.112055
K0819.60016063	63	16 F7	15	80	50±0,003	M16	25	95,071	$C/2 \times \sqrt{2+34,716}$	K0815.116065
K0819.60016075	75	16 F7	15	100	70±0,003	M16	25	124,142	$C/2 \times \sqrt{2+39,645}$	K0815.116065