

## Precision riser blocks Form M

### Item description/product images

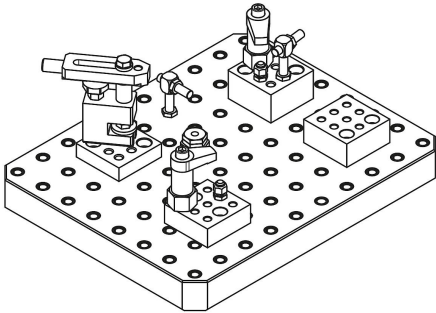


### Description

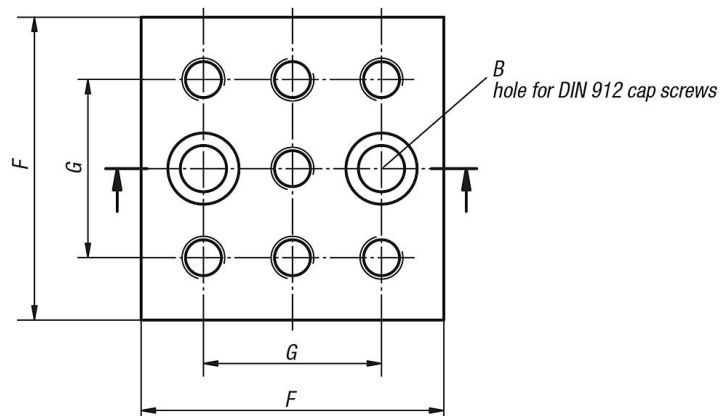
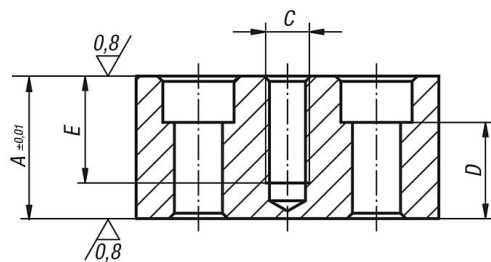
**Material:**  
Carbon steel.

**Version:**  
Black oxidised.  
Contact faces ground.

**Note:**  
Riser blocks are used to achieve a certain support height. The additional tapped holes in the risers are for mounting further fixture elements.



### Drawings



### Overview of items

## Precision riser blocks Form M

### Overview of items

#### Precision riser blocks Form M

Order No.	A	B hole for DIN 912 screw	C	D	E	F	G	weight kg
K0811.14112025	25	M12	M12	12	25	85	50	1,199
K0811.14112032	32	M12	M12	19	32	85	50	1,535
K0811.14112040	40	M12	M12	27	30	85	50	1,955
K0811.14112050	50	M12	M12	37	30	85	50	2,43
K0811.14116025	25	M16	M16	8	25	85	50	1,007
K0811.14116032	32	M16	M16	15	32	85	50	1,31
K0811.14116040	40	M16	M16	23	35	85	50	1,648
K0811.14116050	50	M16	M16	33	35	85	50	2,104