

## Toggle clamps vertical with straight foot and adjustable clamping spindle, stainless steel

Item description/product images



### Description

**Material:**

Stainless steel.  
Grip polyamide.

**Version:**

Bright.

**Note:**

Maintenance-free high quality link bushings. Sustainable constant use of force during opening and closing. Optimum stability through the conical, U-profile clamping arm.

**Accessory:**

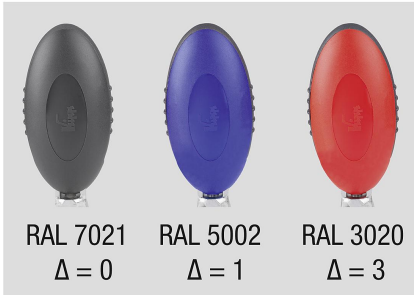
K0106  
K0384  
K0390  
K0392  
K0667

**Drawing reference:**

1) stop pin position 1  
2) stop pin position 2

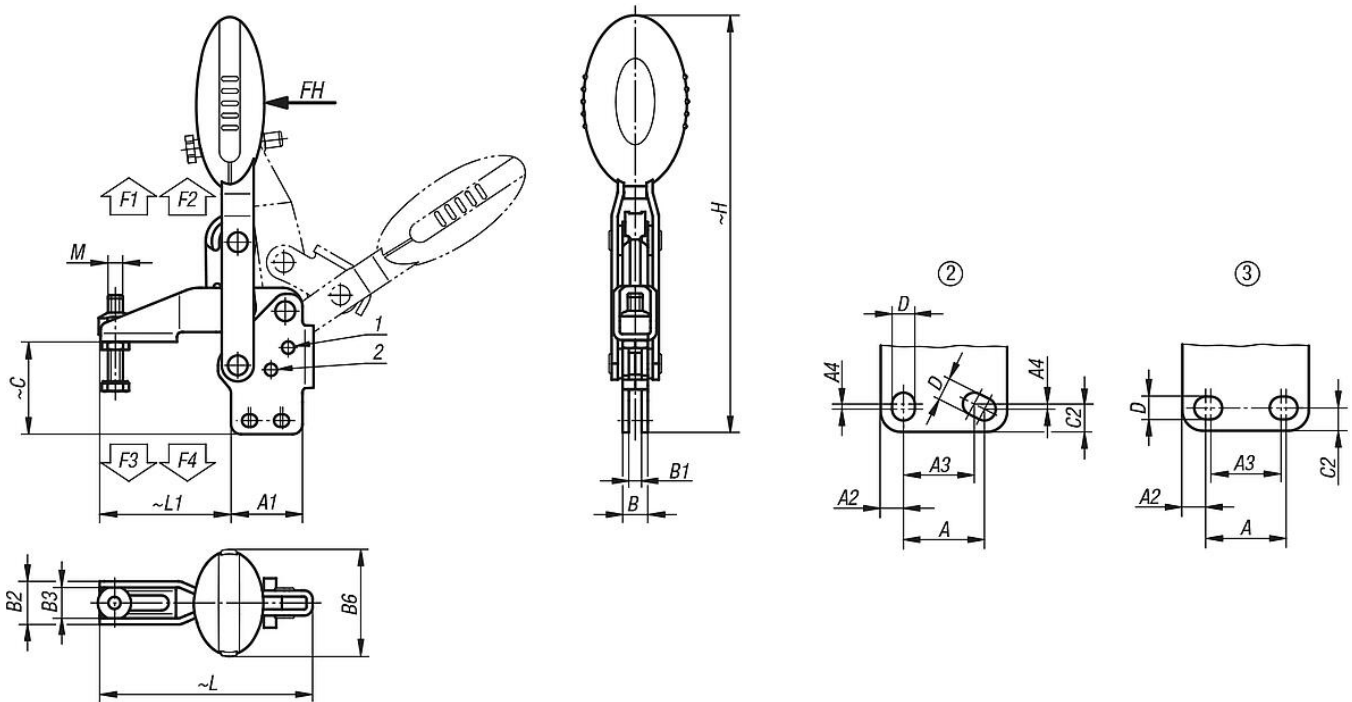
# Toggle clamps vertical with straight foot and adjustable clamping spindle, stainless steel

Item description/product images



# Toggle clamps vertical with straight foot and adjustable clamping spindle, stainless steel

Drawings



## Overview of items

### Toggle clamps vertical with straight foot and adjustable clamping spindle, stainless steel

Order No.	Component colour	Opening angle holding arm position 1	Opening angle holding arm position 2	Opening angle holding arm stop pin removed	Opening angle handle position 1	Opening angle handle position 2	Hand force FH N	Retaining force F1 N	Retaining force F2 N	Clamping force F3 N	Clamping force F4 N
K0663.105001	ultramarine RAL 5002	100°	-	129°	64°	-	100	750	1050	620	750
K0663.106001	ultramarine RAL 5002	56°	83°	141°	46°	56°	160	1350	1650	920	1050
K0663.108001	ultramarine RAL 5002	13°	93°	158°	26°	61°	190	2000	2800	940	1350
K0663.105000	black grey RAL 7021	100°	-	129°	64°	-	100	750	1050	620	750
K0663.106000	black grey RAL 7021	56°	83°	141°	46°	56°	160	1350	1650	920	1050
K0663.108000	black grey RAL 7021	13°	93°	158°	26°	61°	190	2000	2800	940	1350
K0663.105003	traffic red RAL 3020	100°	-	129°	64°	-	100	750	1050	620	750
K0663.106003	traffic red RAL 3020	56°	83°	141°	46°	56°	160	1350	1650	920	1050
K0663.108003	traffic red RAL 3020	13°	93°	158°	26°	61°	190	2000	2800	940	1350

Order No.	Component colour	hole arrangement	M	A	A1	A2	A3	A4	B	B1	B2	B3	B6	C	C2	D	H	L	L1
K0663.105001	ultramarine RAL 5002	2	M5x25	16	25	4,5	14	1	8,1	4,1	13,2	9,2	22,5	29,8	5,5	4,5	119,2	65,6	35
K0663.106001	ultramarine RAL 5002	3	M6x35	14	29	7	12	-	10,2	5,2	17,5	12,5	43,5	37,6	5,5	5,5	169	86,5	53
K0663.108001	ultramarine RAL 5002	3	M8x45	21	39	9	19	-	10,2	5,2	20,6	15,6	41,5	49	6,5	6,8	200,4	107	62
K0663.105000	black grey RAL 7021	2	M5x25	16	25	4,5	14	1	8,1	4,1	13,2	9,2	22,5	29,8	5,5	4,5	119,2	65,6	35
K0663.106000	black grey RAL 7021	3	M6x35	14	29	7	12	-	10,2	5,2	17,5	12,5	43,5	37,6	5,5	5,5	169	86,5	53
K0663.108000	black grey RAL 7021	3	M8x45	21	39	9	19	-	10,2	5,2	20,6	15,6	41,5	49	6,5	6,8	200,4	107	62
K0663.105003	traffic red RAL 3020	2	M5x25	16	25	4,5	14	1	8,1	4,1	13,2	9,2	22,5	29,8	5,5	4,5	119,2	65,6	35
K0663.106003	traffic red RAL 3020	3	M6x35	14	29	7	12	-	10,2	5,2	17,5	12,5	43,5	37,6	5,5	5,5	169	86,5	53
K0663.108003	traffic red RAL 3020	3	M8x45	21	39	9	19	-	10,2	5,2	20,6	15,6	41,5	49	6,5	6,8	200,4	107	62