

Toggle clamps vertical with flat foot and adjustable clamping spindle, stainless steel

Item description/product images



Description

Material:

Stainless steel.
Grip polyamide.

Version:

Bright.
Grip blue, black or red.

Note:

Maintenance-free high quality link bushings. Sustainable constant use of force during opening and closing. Optimum stability through the conical, U-profile clamping arm.

On request:

Other grip colours.

Accessory:

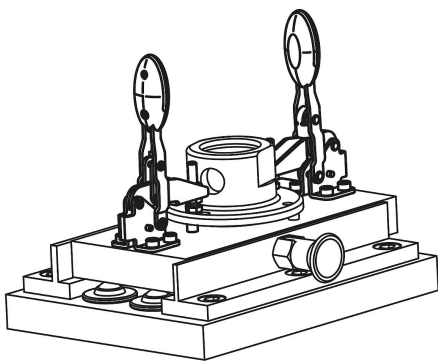
K0106
K0384
K0390
K0392
K0667

Drawing reference:

1) stop pin position 1
2) stop pin position 2

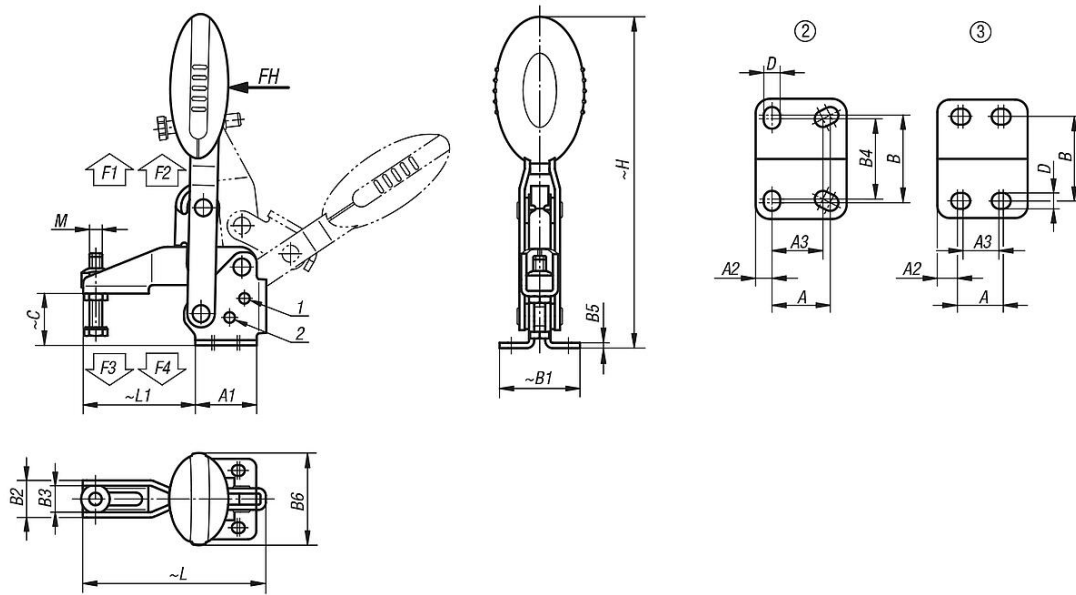
Toggle clamps vertical with flat foot and adjustable clamping spindle, stainless steel

Item description/product images



Toggle clamps vertical with flat foot and adjustable clamping spindle, stainless steel

Drawings



Overview of items

Toggle clamps vertical with flat foot and adjustable clamping spindle, stainless steel

Order No.	Component colour	Opening angle holding arm position 1	Opening angle holding arm position 2	Opening angle holding arm stop pin removed	Opening angle handle position 1	Opening angle handle position 2	Opening angle handle stop pin removed	Hand force FH N	Retaining force F1 N	Retaining force F2 N	Clamping force F3 N	Clamping force F4 N
K0662.105001	ultramarine RAL 5002	100°	-	147°	64°	-	83°	100	750	1050	620	750
K0662.106001	ultramarine RAL 5002	56°	83°	152°	46°	56°	83°	160	1350	1650	920	1050
K0662.108001	ultramarine RAL 5002	13°	93°	158°	26°	61°	86°	190	2000	2800	940	1350
K0662.105000	black grey RAL 7021	100°	-	147°	64°	-	83°	100	750	1050	620	750
K0662.106000	black grey RAL 7021	56°	83°	152°	46°	56°	83°	160	1350	1650	920	1050
K0662.108000	black grey RAL 7021	13°	93°	158°	26°	61°	86°	190	2000	2800	940	1350
K0662.105003	traffic red RAL 3020	100°	-	147°	64°	-	83°	100	750	1050	620	750
K0662.106003	traffic red RAL 3020	56°	83°	152°	46°	56°	83°	160	1350	1650	920	1050
K0662.108003	traffic red RAL 3020	13°	93°	158°	26°	61°	86°	190	2000	2800	940	1350

Order No.	Component colour	hole arrangement	M	A	A1	A2	A3	B	B1	B2	B3	B4	B5	B6	C	D	H	L	L1
K0662.105001	ultramarine RAL 5002	2	M5x25	16	25	4,5	14	24	33	13,2	9,2	22	2	22,5	18	4,5	107,4	65,6	35
K0662.106001	ultramarine RAL 5002	3	M6x35	14	29	7	12	27	38	17,5	12,5	-	2,5	43,5	24,9	5,5	156,3	86,5	53
K0662.108001	ultramarine RAL 5002	3	M8x45	21	39	9	19	32	45	20,6	15,6	-	2,5	41,5	32,7	6,8	184,2	107	62
K0662.105000	black grey RAL 7021	2	M5x25	16	25	4,5	14	24	33	13,2	9,2	22	2	22,5	18	4,5	107,4	65,6	35
K0662.106000	black grey RAL 7021	3	M6x35	14	29	7	12	27	38	17,5	12,5	-	2,5	43,5	24,9	5,5	156,3	86,5	53
K0662.108000	black grey RAL 7021	3	M8x45	21	39	9	19	32	45	20,6	15,6	-	2,5	41,5	32,7	6,8	184,2	107	62
K0662.105003	traffic red RAL 3020	2	M5x25	16	25	4,5	14	24	33	13,2	9,2	22	2	22,5	18	4,5	107,4	65,6	35
K0662.106003	traffic red RAL 3020	3	M6x35	14	29	7	12	27	38	17,5	12,5	-	2,5	43,5	24,9	5,5	156,3	86,5	53
K0662.108003	traffic red RAL 3020	3	M8x45	21	39	9	19	32	45	20,6	15,6	-	2,5	41,5	32,7	6,8	184,2	107	62