

## Toggle clamps vertical with safety interlock with flat foot and adjustable clamping spindle, stainless steel

Item description/product images



### Description

#### Material:

Stainless steel.  
Grip polyamide.  
Unlocking bracket TPE.

#### Version:

Bright.  
Grip blue, black or red.

#### Note:

Maintenance-free high quality link bushings. Sustainable constant force during opening and closing. Optimum stability through the conical, U-profile clamping arm. Including internal bar lock with automatic safety catch.

#### On request:

Other grip colours.

#### Accessory:

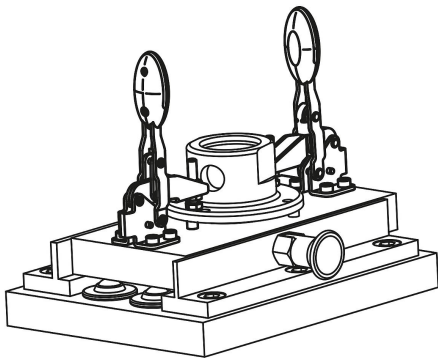
K0106  
K0384  
K0390  
K0392  
K0667

#### Drawing reference:

1) stop pin position 1  
2) stop pin position 2

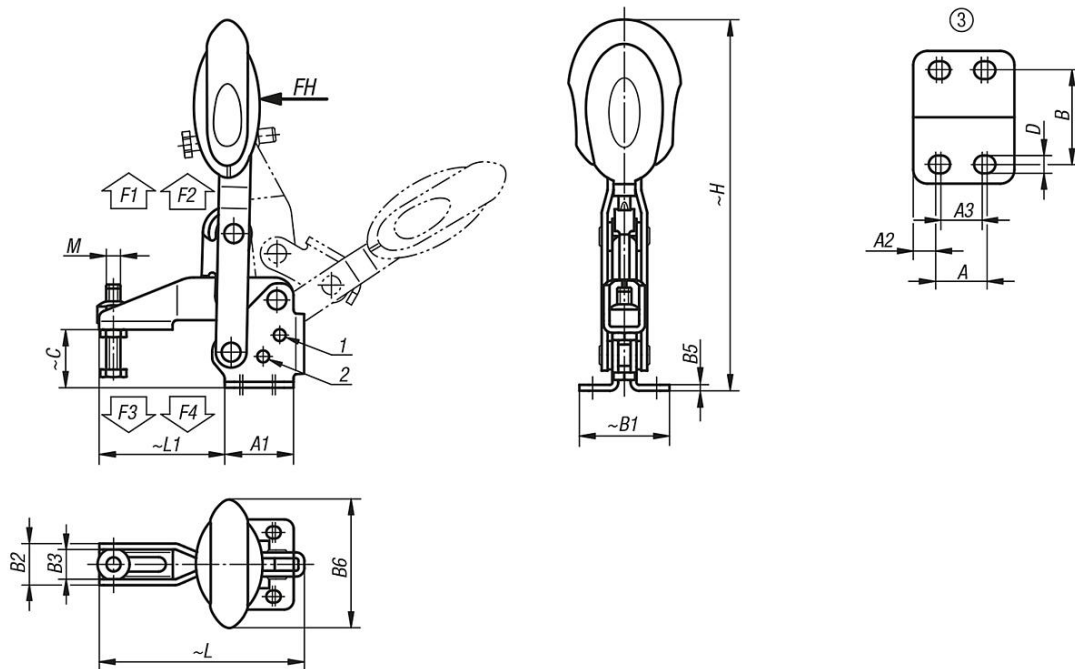
# Toggle clamps vertical with safety interlock with flat foot and adjustable clamping spindle, stainless steel

Item description/product images



# Toggle clamps vertical with safety interlock with flat foot and adjustable clamping spindle, stainless steel

Drawings



## Overview of items

### Toggle clamps, vertical with safety interlock, with flat foot and adjustable clamping spindle, stainless steel

Order No.	Component colour	Opening angle holding arm position 1	Opening angle holding arm position 2	Opening angle holding arm stop pin removed	Opening angle handle position 1	Opening angle handle position 2	Opening angle handle stop pin removed	Hand force FH N	Retaining force F1 N	Retaining force F2 N	Clamping force F3 N	Clamping force F4 N
K0662.106101	ultramarine RAL 5002	56°	83°	152°	46°	56°	83°	160	1350	1650	920	1050
K0662.108101	ultramarine RAL 5002	13°	93°	158°	26°	61°	86°	190	2000	2800	940	1350
K0662.106100	black grey RAL 7021	56°	83°	152°	46°	56°	83°	160	1350	1650	920	1050
K0662.108100	black grey RAL 7021	13°	93°	158°	26°	61°	86°	190	2000	2800	940	1350
K0662.106103	traffic red RAL 3020	56°	83°	152°	46°	56°	83°	160	1350	1650	920	1050
K0662.108103	traffic red RAL 3020	13°	93°	158°	26°	61°	86°	190	2000	2800	940	1350

Order No.	Component colour	hole arrangement	M	A	A1	A2	A3	B	B1	B2	B3	B5	B6	C	D	H	L	L1
K0662.106101	ultramarine RAL 5002	3	M6x35	14	29	7	12	27	38	17,5	12,5	2,5	53,4	24,9	5,5	163	86,5	53
K0662.108101	ultramarine RAL 5002	3	M8x45	21	39	9	19	32	45	20,6	15,6	2,5	51,1	32,7	6,8	191,4	107	62
K0662.106100	black grey RAL 7021	3	M6x35	14	29	7	12	27	38	17,5	12,5	2,5	53,4	24,9	5,5	163	86,5	53
K0662.108100	black grey RAL 7021	3	M8x45	21	39	9	19	32	45	20,6	15,6	2,5	51,1	32,7	6,8	191,4	107	62
K0662.106103	traffic red RAL 3020	3	M6x35	14	29	7	12	27	38	17,5	12,5	2,5	53,4	24,9	5,5	163	86,5	53
K0662.108103	traffic red RAL 3020	3	M8x45	21	39	9	19	32	45	20,6	15,6	2,5	51,1	32,7	6,8	191,4	107	62