

Eccentric clamp module Form C

Item description/product images



Description

Material:

Body steel.

Cam levers cast aluminium.

Version:

Body black oxidised.

T-nut electro zinc-plated.

Cam levers black powder coated.

Note:

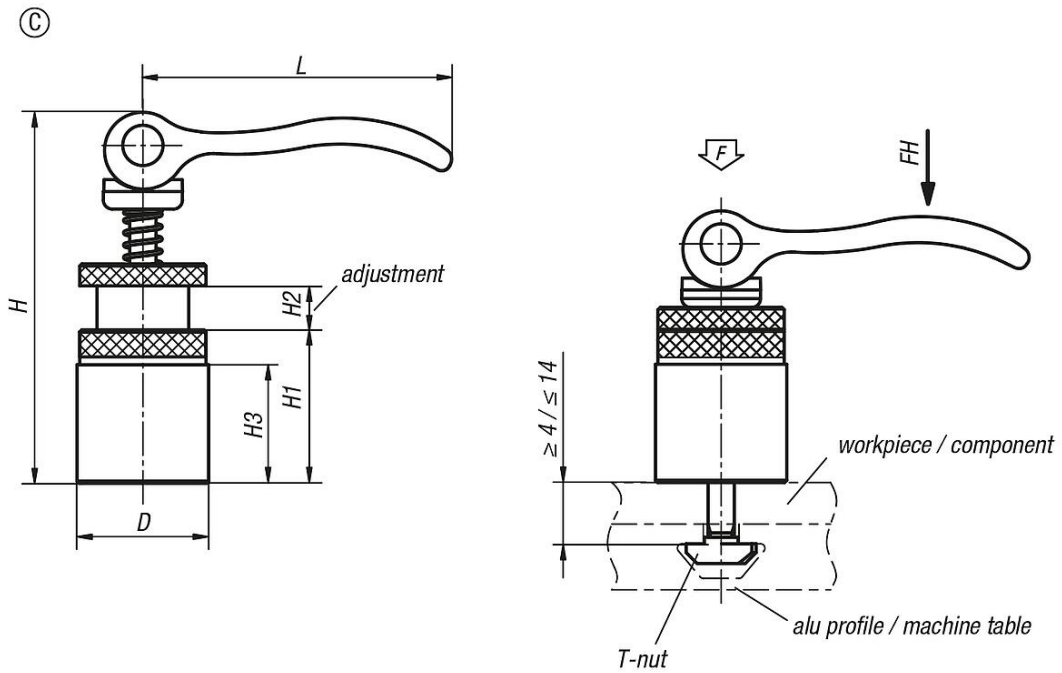
The clamp module is inserted into the T-slot from above and secured using the cam lever, no other tools required.

Advantages:

The eccentric clamp modules can be used on conventional aluminium profile systems or on T-slot tables as stops, fasteners or clamps for components and workpieces.

Eccentric clamp module Form C

Drawings



Overview of items

Order No.	Form	D	H	H1	H2	H3	L	suitable for slot width	Clamping force F (kN)	Hand force FH N
K0754.21150606	C	15	34	10	6	7	35	6	1,5	90
K0754.21201008	C	20	44	13	8	10	52	8	2,5	100
K0754.21301008	C	30	84,6	35	10	25	70,4	8	4	120