

Press-in plugs Form B, with vent

Item description/product images



Description

Material:

Housing, cap in thermoplastic polyamide 66. Rubber O-ring (NBR).

Version:

Black housing, red cap.

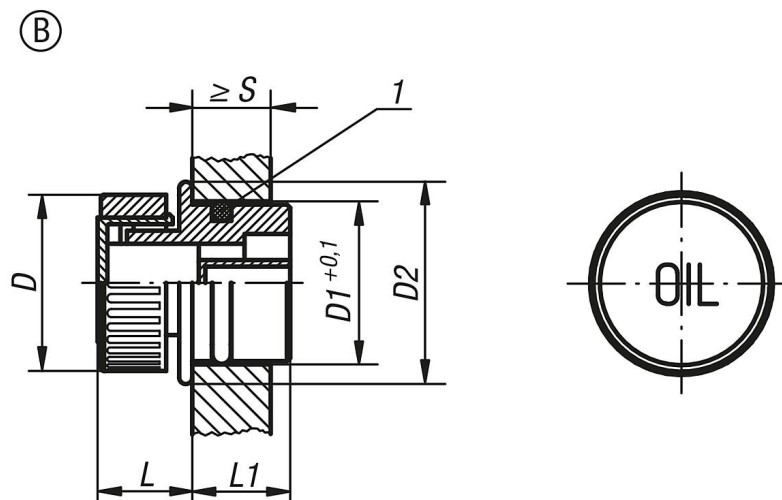
Temperature range:

Temperature resistant with oil up to 100°C.

Drawing reference:

1) O-ring

Drawings



Overview of items

Order No.	Form	D	D1	D2	L	L1	S min.
K0451.23018	B	30	18	23	14	14	8
K0451.23020	B	30	20	24	14	15,5	8
K0451.23026	B	30	26	30	14	16,5	9,5
K0451.23030	B	30	30	34	14	17	9,5