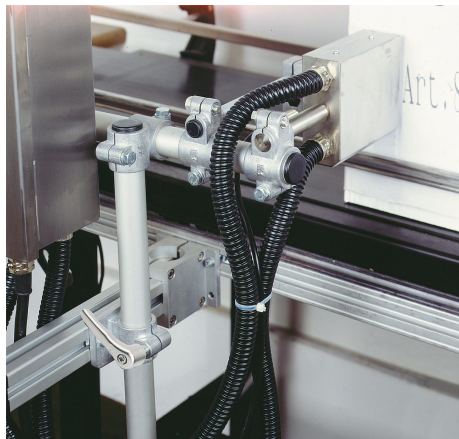
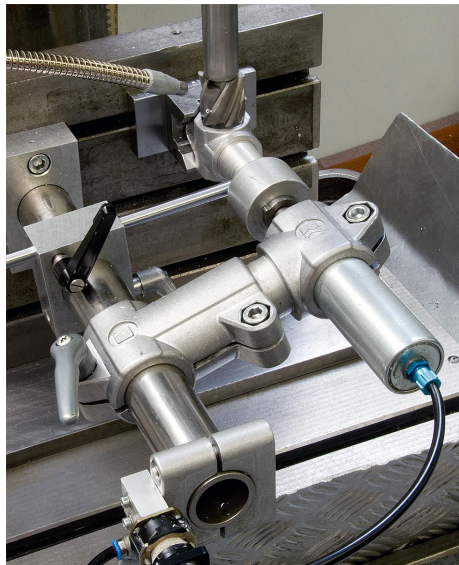


## Tube clamps straight plastic

### Item description/product images



### Description

**Material:**

Thermoplastic.

DIN 7984 screws and DIN 985 nuts steel.

**Version:**

Black.

Screws and nuts electro zinc-plated.

**Note:**

The standard size for round tubes is  $\varnothing 18$  mm or  $\varnothing 30$  mm. Use reducer sleeves K0492 if smaller tubes are to be clamped or a conversion from round to square tubes is required.

**On request:**

Plastic clamping levers for tightening.

**Accessory:**

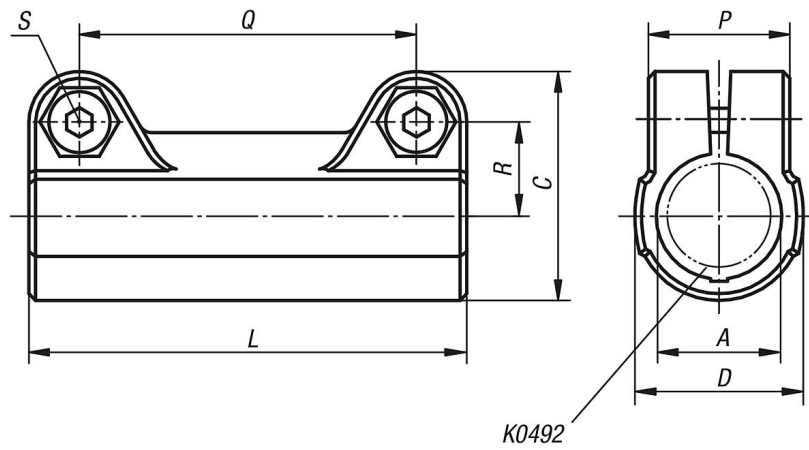
- Reducer sleeves K0492
- Round and square tubes K0493

# Tube clamps straight plastic

Item description/product images



## Drawings



## Overview of items

### Tube clamps straight, plastic

Order No.	A	C	D	L	P	Q	R	S
K0483.18	18	34	25	65	21	50	14	M6x18
K0483.30	30	52,5	40	95	28,5	73	22,8	M8x25