

Vent screws with dipstick

Item description/product images



Description

Material:

Housing and cap thermoplastic polyamide 66.
Air filter polyurethane (PU foam).
Dipstick zinc.
O-ring NBR, Shore 70.

Version:

Housing black.
Cap red.
Filter mesh 50 μm .
Dipstick phosphated.

Note:

The removable cap allows easy cleaning of the air filter.

Form A: without air filter

Form B: with air filter

Temperature range:

Temperature resistant with oil up to 100°C.

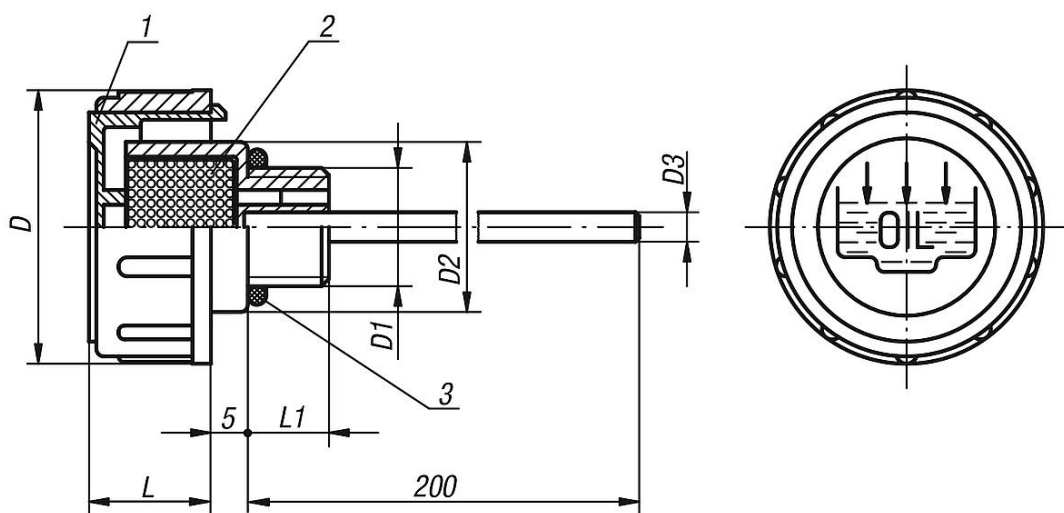
On request:

Min-Max markings.

Drawing reference:

- 1) cap
- 2) air filter Form B only
- 3) O-ring

Drawings



Overview of items

