

Screw plugs with magnet

Item description/product images



Description

Material:

Thermoplastic polyamide 66. Ferrite permanent magnet.

Version:

Black. Flat seal asbestos-free

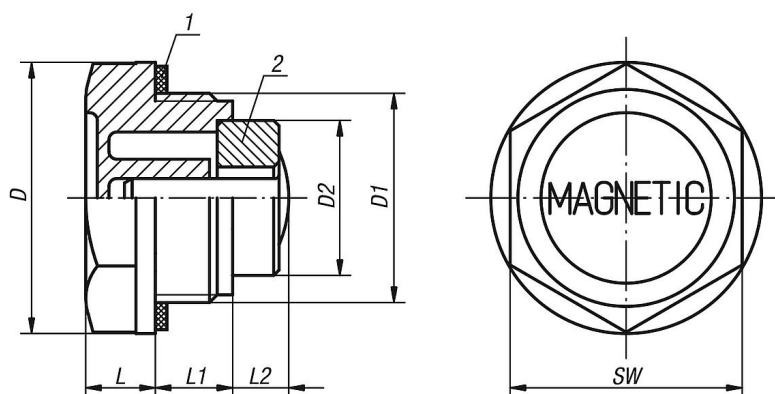
Temperature range:

Temperature resistant with oil up to 100°C.

Drawing reference:

- 1) flat seal
- 2) magnet

Drawings



Overview of items

Screw plugs with magnet

Order No.	D	D1	D2	L	L1	L2	SW
K0452.20014	20	G1/4	8	7	9	5	17
K0452.22038	22	G3/8	13	7,5	10	10	18
K0452.27012	27	G1/2	13	8	11	9	24
K0452.34034	34	G3/4	19,6	9	11	6,5	30
K0452.42100	42	G1	19,6	10,5	12	14	35
K0452.201415	20	M14X1,5	8	7	9	5	17