

Oil level gauges

Item description/product images



Description

Material:

Housing thermoplastic polyamide.
O-ring and flat seal rubber (NBR).
Reflector aluminium.
Screw and hex nut steel.

Version:

Transparent housing, high mechanical stability, non-ageing, temperature resistant up to 100 °C.
Pressure resistant at 20 °C up to 10 bar, at 60 °C up to 8 bar.
Reflector painted white, line marks and scale black.
Screw and hexagon nut, electro zinc-plated.

Note:

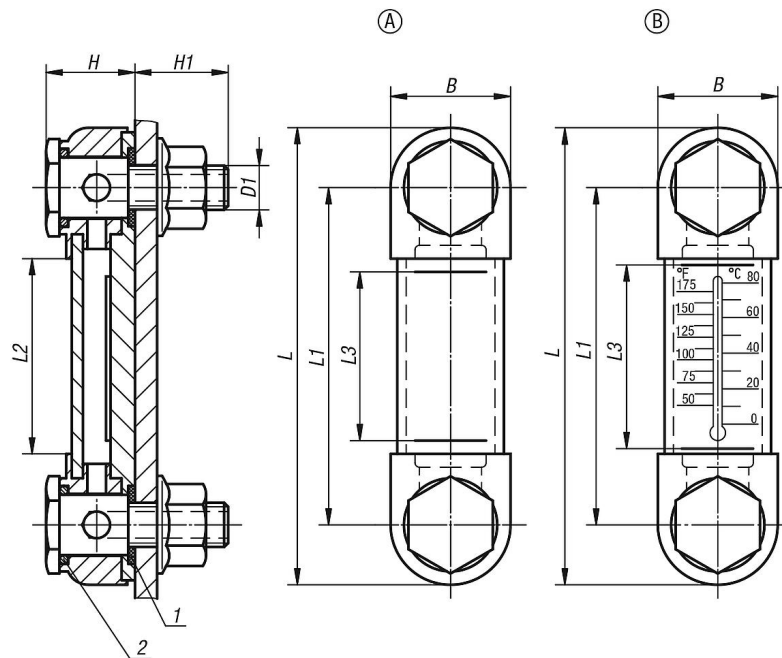
The oil level gauges can either be fastened as shown in the illustration or screwed directly into a tapped hole. Centre distance for the fastening holes = $L1 \pm 0.3$.
The max. tightening torque for the fastening screws is 5 Nm.

Drawing reference:

Form A: without thermometer
Form B: with thermometer

- 1) flat seal
- 2) O-ring

Drawings



Overview of items

Oil level gauges

Overview of items

Oil level gauges

| Order No. | Form | B | D1 | H | H1 | L | L1 | L2 | L3 | Number of fastening screws | Thermometer scale |
|-------------------|------|----|-----|----|----|-----|-----|----|----|----------------------------|--------------------------|
| K0443.1076 | A | 27 | M10 | 20 | 21 | 103 | 76 | 44 | 37 | 2 | - |
| K0443.1127 | A | 27 | M12 | 19 | 18 | 151 | 127 | 95 | 80 | 2 | - |
| K0443.2076 | B | 27 | M10 | 20 | 21 | 103 | 76 | 44 | 37 | 2 | 0 - 80 °C / 50 - 175 °F |
| K0443.2127 | B | 27 | M12 | 19 | 18 | 151 | 127 | 95 | 80 | 2 | 0 - 100 °C / 50 - 200 °F |