

## Hinges plastic

### Item description/product images



### Description

**Material:**

Fibreglass reinforced thermoplastic.  
Hinge pin stainless steel.

**Version:**

Hinge black. Pin bright.

**Note:**

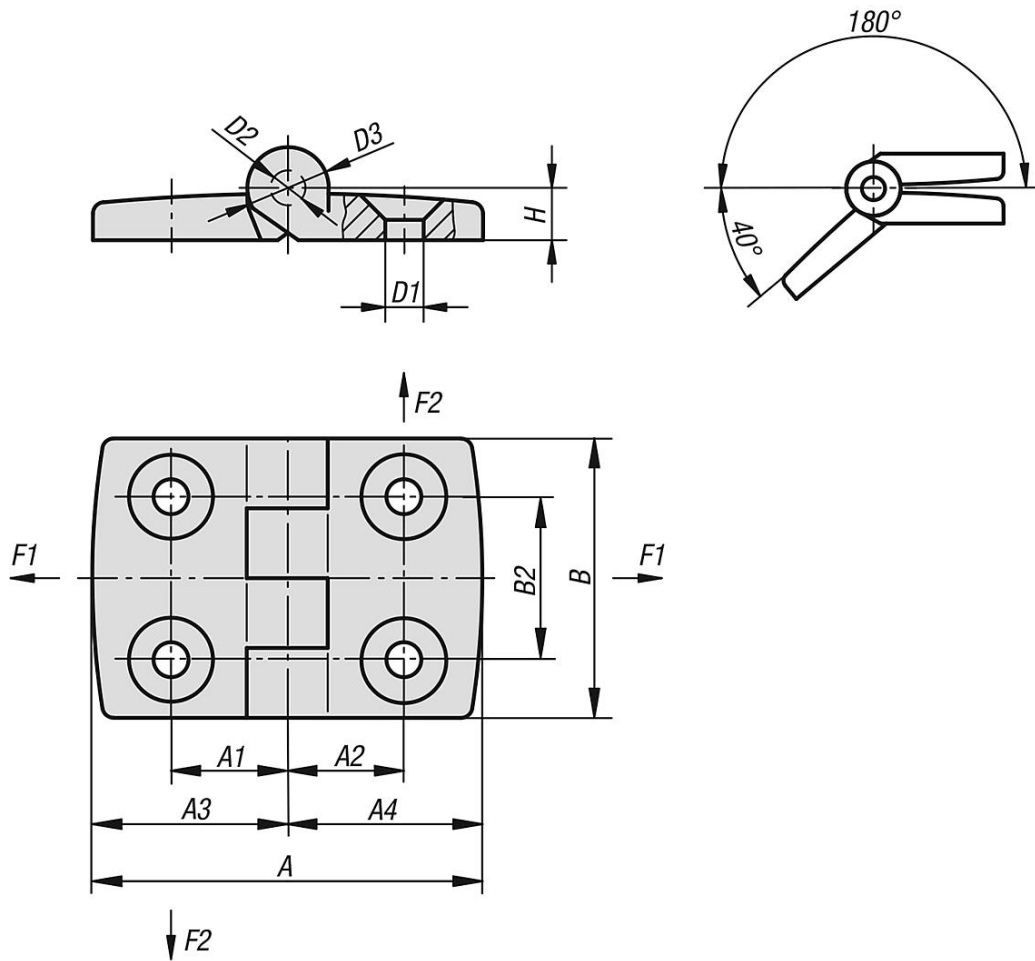
Hinges with different leaf lengths can be used left and right.  
All hinges can be supplied on request with guide tabs for the slots of aluminium profiles (slots 6, 8 and 10). They facilitate assembly, secure the hinge against rotation and make it harder wearing.

The loading values given for the hinges are non-binding reference values without consideration of safety factors and exclude any liability. The values given are for information purposes only and do not constitute a legally binding assurance of properties.

The load values have been determined under laboratory conditions. Each user must determine individually whether the hinge is suitable for the respective application.

Different materials onto which the hinges are installed and the type of mounting, weather conditions and wear can influence the determined values.

Drawings



Overview of items

Hinges plastic

Order No.	A	A1	A2	A3	A4	B	B2	D1	D2	D3	H	F1 N	F2 N
K0435.201212	39	11,5	11,5	19,5	19,5	30	14	4,2	3	8	5,5	400	200
K0435.251515	52	15	15	26	26	48	28	6,6	6	14	9	625	425
K0435.251518	55,5	15	17,5	26	29,5	48	28	6,6	6	14	9	700	500
K0435.251520	61,5	15	20	26	35,5	48	28	6,6	6	14	9	700	400
K0435.251523	64,5	15	22,5	26	38,5	48	28	6,6	6	14	9	800	350
K0435.251525	69,5	15	25	26	43,5	48	28	6,6	6	14	9	800	325
K0435.251528	74,5	15	27,5	26	48,5	48	28	6,6	6	14	9	800	320
K0435.251533	83,5	15	32,5	26	57,5	48	28	6,6	6	14	9	800	240
K0435.301818	59	17,5	17,5	29,5	29,5	48	28	6,6	6	14	9	700	400
K0435.301820	65	17,5	20	29,5	35,5	48	28	6,6	6	14	9	700	400
K0435.301823	68	17,5	22,5	29,5	38,5	48	28	6,6	6	14	9	750	450
K0435.301825	73	17,5	25	29,5	43,5	48	28	6,6	6	14	9	750	450
K0435.301828	78	17,5	27,5	29,5	48,5	48	28	6,6	6	14	9	900	425
K0435.301833	87	17,5	32,5	29,5	57,5	48	28	6,6	6	14	9	850	200
K0435.352020	71	20	20	35,5	35,5	48	28	6,6	6	14	9	700	400
K0435.352023	74	20	22,5	35,5	38,5	48	28	6,6	6	14	9	750	450
K0435.352025	79	20	25	35,5	43,5	48	28	6,6	6	14	9	750	450
K0435.352028	84	20	27,5	35,5	48,5	48	28	6,6	6	14	9	800	425
K0435.352033	93	20	32,5	35,5	57,5	48	28	6,6	6	14	9	800	175
K0435.402323	77	22,5	22,5	38,5	38,5	48	28	6,6	6	14	9	750	450
K0435.402325	82	22,5	25	38,5	43,5	48	28	6,6	6	14	9	750	450

## Overview of items

Order No.	A	A1	A2	A3	A4	B	B2	D1	D2	D3	H	F1 N	F2 N
K0435.402328	87	22,5	27,5	38,5	48,5	48	28	6,6	6	14	9	800	425
K0435.402333	96	22,5	32,5	38,5	57,5	48	28	6,6	6	14	9	850	175
K0435.452525	87	25	25	43,5	43,5	48	28	6,6	6	14	9	750	450
K0435.452528	92	25	27,5	43,5	48,5	48	28	6,6	6	14	9	800	425
K0435.452533	101	25	32,5	43,5	57,5	48	28	6,6	6	14	9	850	200
K0435.502828	97	27,5	27,5	48,5	48,5	48	28	6,6	6	14	9	800	425
K0435.502833	106	27,5	32,5	48,5	57,5	48	28	6,6	6	14	9	850	200
K0435.603333	115	32,5	32,5	57,5	57,5	48	28	6,6	6	14	9	850	175