

## Levelling feet plates, Form C

### Item description/product images



### Description

#### Material:

Plates die-cast zinc or stainless steel 1.4305.

#### Version:

Die-cast zinc plate, black powder-coated.

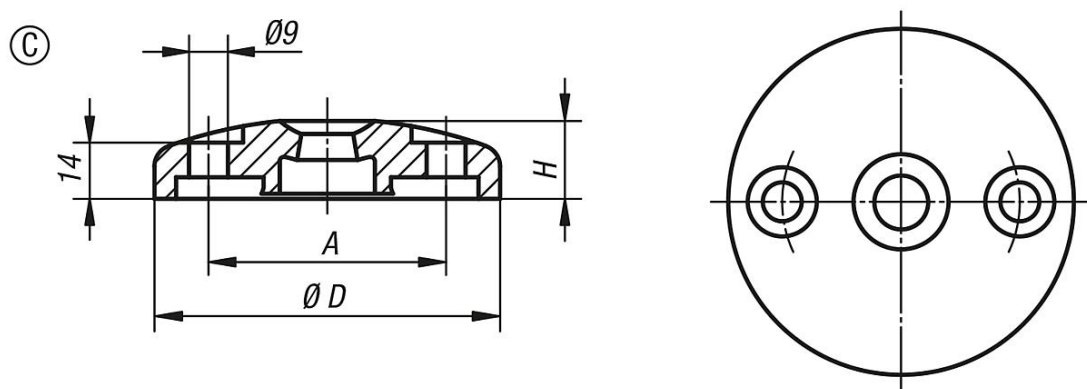
Stainless steel plate, bright.

#### Note:

Levelling feet consist of a plate and a threaded spindle. Any plate can be combined with any threaded spindle.

For matching threaded spindles see K0427.

### Drawings



### Overview of items

Order No.	Form	Main material	D	A	H	Load rating max. kN
K0425.30801	C	zinc	80	55	18	35
K0425.31001	C	zinc	100	74	18	35
K0425.30802	C	stainless steel	80	55	18	45
K0425.31002	C	stainless steel	100	74	18	45