

Levelling foot plates, Form A

Item description/product images



Description

Material:

Plates die-cast zinc or stainless steel 1.4305.

Version:

Die-cast zinc plate, black powder-coated.

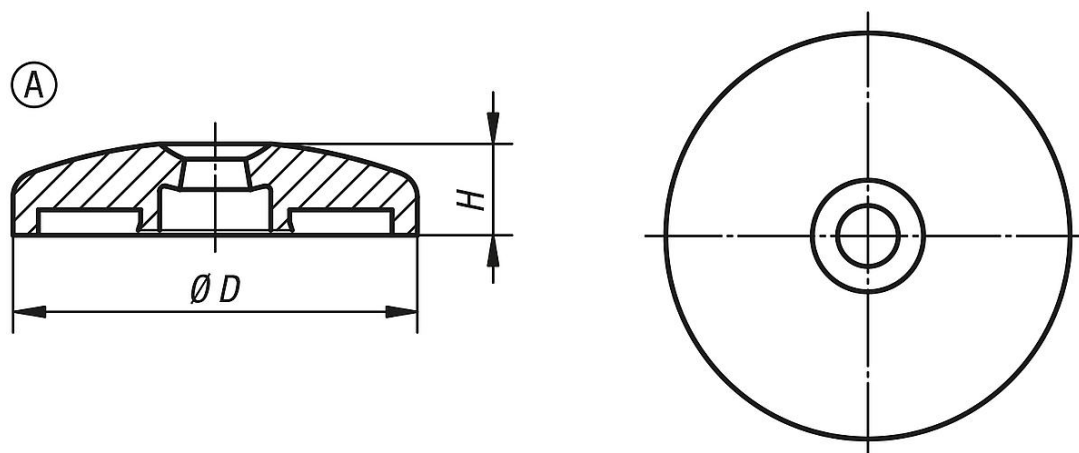
Stainless steel plate, bright.

Note:

Levelling feet consist of a plate and a threaded spindle. Any plate can be combined with any threaded spindle.

For matching threaded spindles see K0427.

Drawings



Overview of items

Order No.	Form	Main material	D	A	H	Load rating max. kN
K0425.10401	A	zinc	40	-	18	20
K0425.10451	A	zinc	45	-	18	25
K0425.10501	A	zinc	50	-	18	25
K0425.10601	A	zinc	60	-	18	35
K0425.10801	A	zinc	80	-	18	35
K0425.11001	A	zinc	100	-	18	35
K0425.11201	A	zinc	120	-	18	35
K0425.10602	A	stainless steel	60	-	18	45
K0425.10802	A	stainless steel	80	-	18	45
K0425.11002	A	stainless steel	100	-	18	45

