

Swivel feet plates with vibration absorption

Item description/product images



Description

Material:

Plate die-cast zinc or stainless steel 1.4305.
Damper plate PUR elastomere (Sylomer V12).

Version:

Die-cast zinc plate, black powder-coated.
Stainless steel plate, bright.
Damper plate, grey, glued in, anti-slip.
Temp. range -30 °C to +70 °C.

Note:

The load rating given in the table is a recommendation of the permanent static load up to which the absorption unit should be used. This static load corresponds to a surface pressure of 0.4 N/mm², at which the material achieves its optimum absorption properties. Here it is taken into account that under dynamic demands an additional load, up to 0.6 N/mm² may occur. The damper plate absorbs vibrations and prevents the swivel foot slipping.

Swivel feet consist of a plate and a threaded spindle or ball joint. Any plate can be combined with any threaded spindle or ball joint.

For matching threaded spindles see K0421.

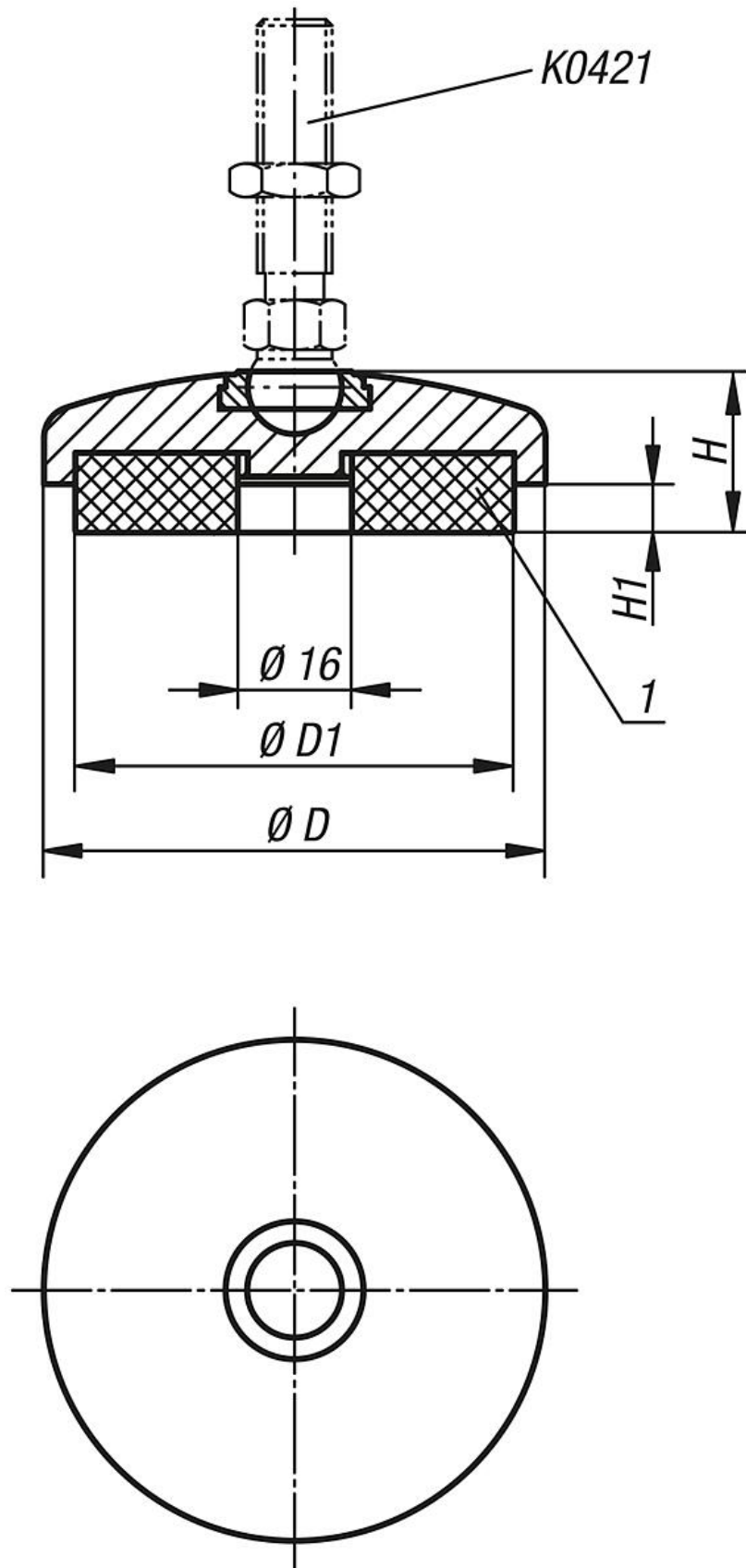
For matching ball joints see K0422.

Drawing reference:

1) damper plate

Swivel feet plates with vibration absorption

Drawings



Swivel feet plates with vibration absorption

Overview of items

Swivel feet plates, die-cast zinc

Order No.	Main material	D	D1	H	H1 by 0 / 0.4 / 0.6 N/mm ²	Load rating max. kN
K0419.20401	zinc	40	30,5	25	7 / 5,9 / 4,8	0,062
K0419.20501	zinc	50	40,5	25	7 / 5,9 / 4,8	0,212
K0419.20601	zinc	60	50	25	7 / 5,9 / 4,8	0,433
K0419.20801	zinc	80	68	25	7 / 5,9 / 4,8	0,614
K0419.20402	stainless steel	40	30,5	25	7 / 5,8 / 4,9	0,212
K0419.20502	stainless steel	50	40,5	25	7 / 5,8 / 4,9	0,435
K0419.20602	stainless steel	60	50	25	7 / 5,8 / 4,9	0,705
K0419.20802	stainless steel	80	68	25	7 / 5,8 / 4,9	1,372