

## Swivel feet plates extended, die-cast zinc, Form C

### Item description/product images



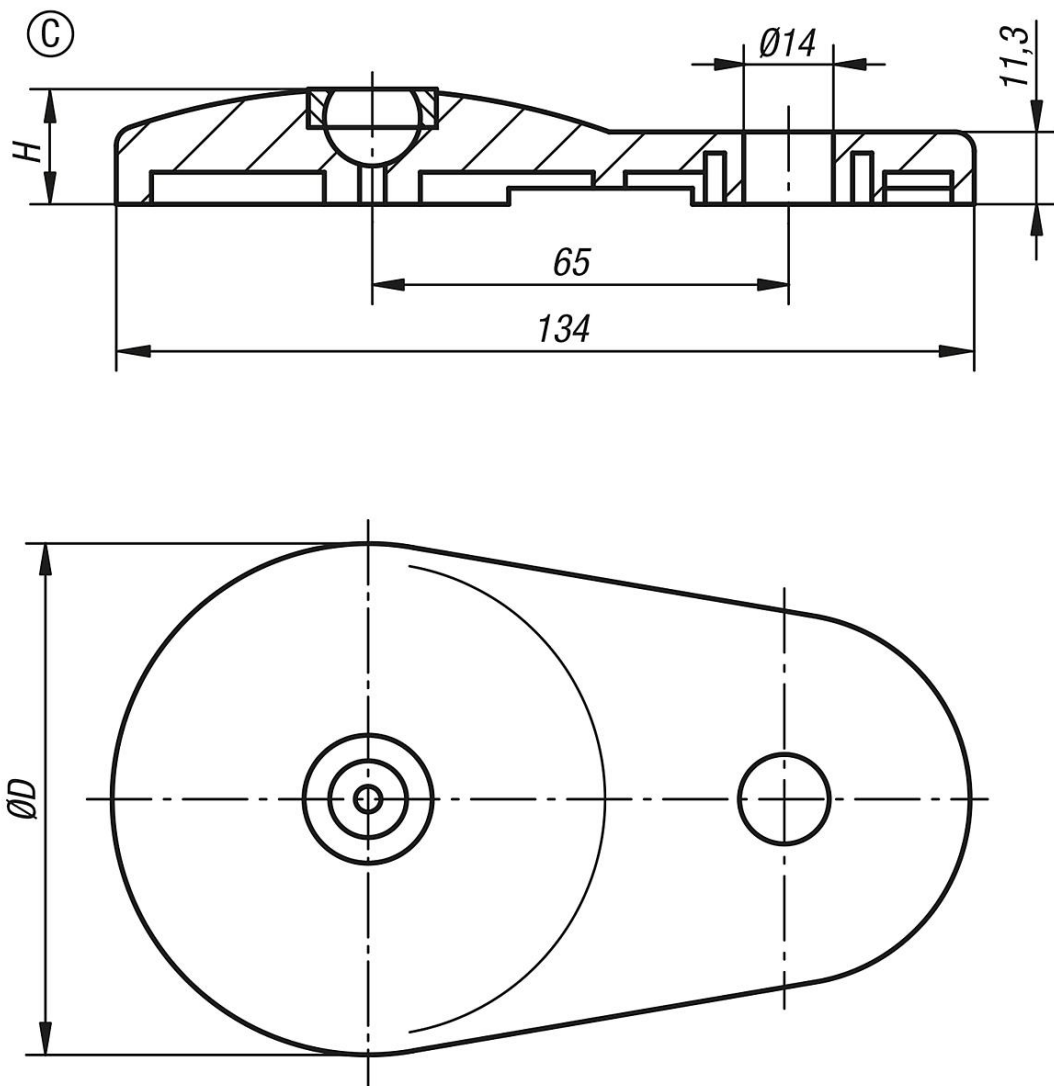
### Description

**Material:**  
Die-cast zinc plates

**Version:**  
Plate black powder-coated.

**Note:**  
Swivel feet consist of a plate and a threaded spindle or ball joint. Any plate can be combined with any threaded spindle or ball joint.  
For matching threaded spindles see K0421.  
For matching ball joints see K0422.

### Drawings



### Overview of items

#### Swivel feet plates extended, die-cast zinc

**Swivel feet plates extended, die-cast zinc, Form C****Overview of items**

Order No.	Form	D	H	Load rating max. kN
K0417.30801	C	80	18	30