

Swivel feet plates, Form D

Item description/product images



Description

Material:

Plate die-cast zinc or stainless steel 1.4305.
Anti-slip plate thermoplastic elastomer.

Version:

Die-cast zinc plate, black powder-coated.
Stainless steel plate, bright.

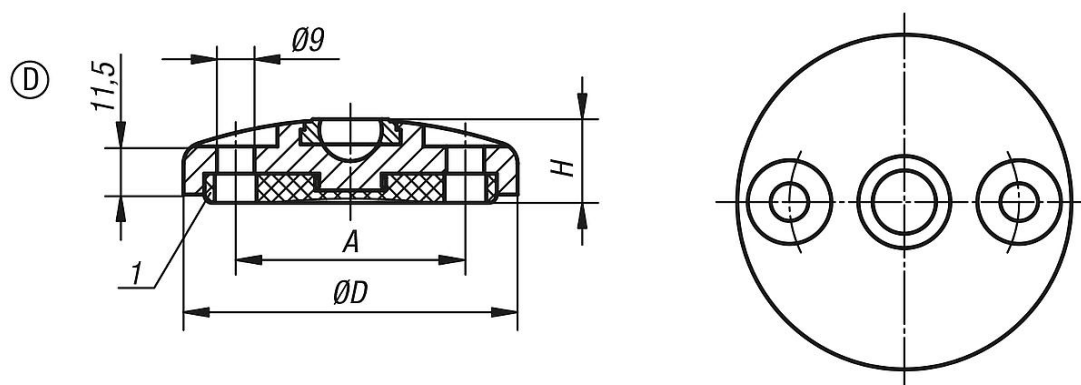
Note:

Swivel feet consist of a plate and a threaded spindle or ball joint. Any plate can be combined with any threaded spindle or ball joint. The anti-slip plate absorbs vibrations and prevents the swivel foot slipping.
For matching threaded spindles see K0421.
For matching ball joints see K0422.

Drawing reference:

1) From plate $\varnothing 80$
Form D with screw-on hole (open), with anti-slip plate

Drawings



Overview of items

Order No.	Form	Main material	D	A	H	Load rating max. kN
K0416.40801	D	zinc	80	55	20	30
K0416.41001	D	zinc	100	74	20	35
K0416.41201	D	zinc	120	94	20	35
K0416.40802	D	stainless steel	80	55	20	35
K0416.41002	D	stainless steel	100	74	20	40
K0416.41202	D	stainless steel	120	94	20	40