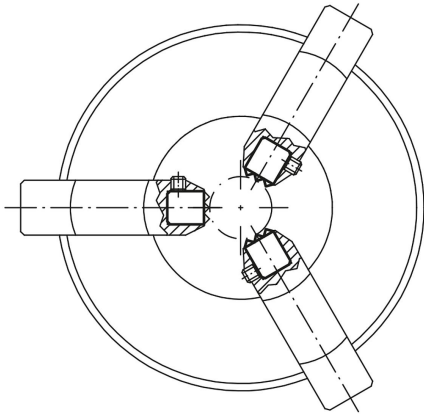


Grippers and inserts round

Item description/product images



Description

Material:

Form C, F, M tool steel
Form E, O, P stainless steel
Form K POM

Version:

Form C hardened and black oxidised.
Form E hardened, bright.
Form K white.
Form O with diamond impregnated surface comparable to 100 grade abrasive grit.
Form P with polyurethane surface, hardness Shore 60.
Form F, hardened and black oxidised.
Form M with carbide serrations, black oxidised.

Note:

Grippers and inserts are ideal for use in clamping arms, gripping systems, clamping fixtures, clamping jaws and self-aligning pads. The use of grippers allows the transfer of very high torque values and above average grip, even with hard materials and surface irregularities.

Form O: The abrasive diamond surface is bonded firmly to the base. It is ideally suited to supporting smooth or slippery applications with a minimum of clamping pressure. This allows the diamond particles to get a firm grip on a very small area with minimum damage to the surface.

The diamond surface offers excellent wear resistance.

Form P: The polyurethane surface is vulcanised firmly to the ball. It is abrasion-resistant and does not discolour. It offers optimum protection against damage to delicate surfaces. The pearl-like surface gives a firm grip and allows air to escape so as to prevent any suction effect between the contact surface and the self-aligning pads.

Grippers and inserts can be fitted in the following self-aligning pads:

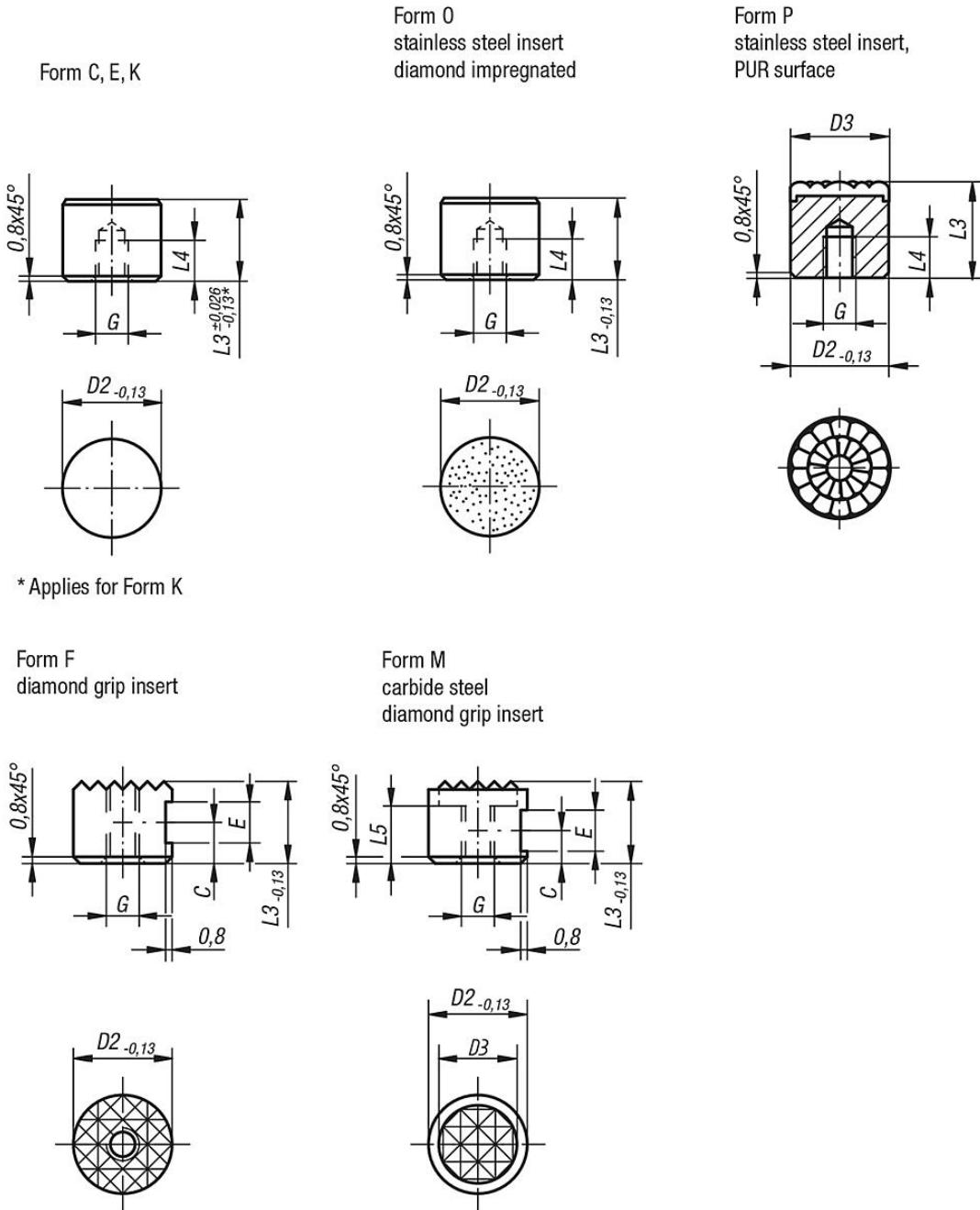
Order No. K0285.117X022 up to K0285.936X036

Order No. K0289.110X015 up to K0289.924X100

Order No. K0291.120X030 up to K0291.924X080

Grippers and inserts round

Drawings



Overview of items

Round inserts Form C, E, K, O

Order No. Form C	Order No. Form E	Order No. Form K	Order No. Form O	D2	L3	L4	G
K0385.10108	K0385.10102	K0385.10109	K0385.10105	10	10	5	M5
K0385.10128	K0385.10122	K0385.10129	K0385.10125	10	12	6,4	M5
K0385.12108	K0385.12102	K0385.12109	K0385.12105	12	10	5	M5
K0385.12128	K0385.12122	K0385.12129	K0385.12125	12	12	6,4	M5
K0385.16108	K0385.16102	K0385.16109	K0385.16105	16	10	5	M6
K0385.16128	K0385.16122	K0385.16129	K0385.16125	16	12	6,4	M6
K0385.20108	K0385.20102	K0385.20109	K0385.20105	20	10	5	M6
K0385.20128	K0385.20122	K0385.20129	K0385.20125	20	12	6,4	M6

Grippers and inserts round

Overview of items

Order No. Form C	Order No. Form E	Order No. Form K	Order No. Form O	D2	L3	L4	G
K0385.25108	K0385.25102	K0385.25109	K0385.25105	25	10	5	M6
K0385.25128	K0385.25122	K0385.25129	K0385.25125	25	12	6,4	M6

Round inserts Form P

Order No.	Form	D2	D3	L3	L4	G
K0385.08126	P	8	8	12	6	M4
K0385.10126	P	10	10	12	6	M5
K0385.12126	P	12	13	12	6	M5
K0385.16126	P	16	16	12	6	M6
K0385.20126	P	20	21	12	6	M6
K0385.25126	P	25	27	12	6	M6

Grippers Form F, M

Order No. Form F	Order No. Form M	D2	D3	L3	L5	C	E	G
K0385.1010	K0385.10107	10	-7,9	10	-6	4,5	4,75	M5
K0385.1210	K0385.12107	12	-9,5	10	-6	4,5	4,75	M5
K0385.1212	K0385.12127	12	-9,5	12	-7	6	4,75	M5
K0385.1610	K0385.16107	16	-12,7	10	-6	4,5	4,75	M6
K0385.2010	K0385.20107	20	-15,9	10	-6	4,5	4,75	M6
K0385.2510	K0385.25107	25	-19	10	-6	4,5	4,75	M6