

Mandrel collets

Item description/product images



Description

Material:

Mandrel mild steel.

Taper-head screw low-carbon steel

Version:

Mandrel black oxidised.

Taper-head screw case-hardened.

Note:

The mandrel collet is ideal for finish machining turned parts. The diameter "D" can be turned or milled to suit the workpiece ID.

Low design - no interfering clamp straps.

Tightened using a hex socket wrench or hydraulics.

* D min. = smallest diameter to which "D" may be turned or milled.

Assembly:

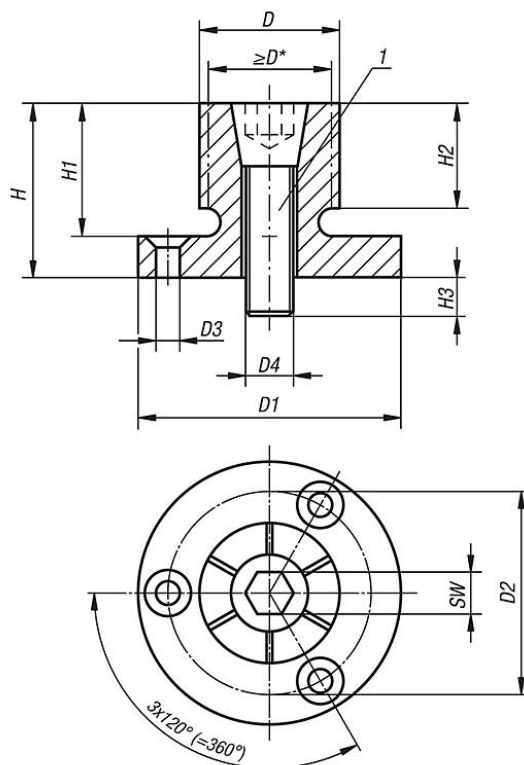
Expand the mandrel approx. 0.1 mm over the relaxed diameter. Turn or mill the mandrel to suit the internal diameter of the workpiece. The base flange can be centred in a pocket or using dowel pins.

Drawing reference:

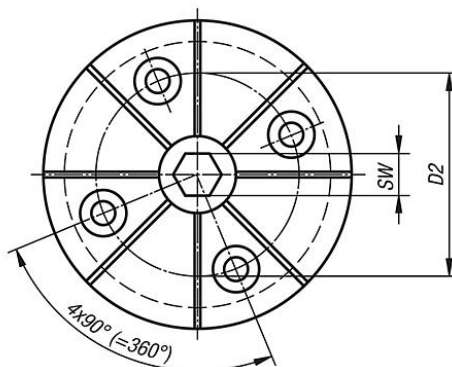
1) taper-head screw

Mandrel collets

Drawings



K0357.1630175



Overview of items

Mandrel collets

Order No.	D	D min.	D1	D2	D3 for screw ISO 10642	D4 Tapered- head bolt	H	H1	H2	H3	SW Tapered- head bolt	Tightening torque max. Nm	Clamping force max. kN
K0357.020407	7,4	4,1	20 h9	13,7	M2	M2	10,7	7,6	6,1	4,1	1,5	0,7	1,1
K0357.040812	12,4	8	29,72 h9	21	M3	M4	21,8	16	15	8	3	5	4,2
K0357.061214	14,2	12,2	31,5 h9	23,1	M3	M6	24,9	19	15	12	5	17	8,5
K0357.081420	20	13,5	37,5 h9	29	M3	M8	24,9	19	15	14	6	34	11,1
K0357.062027	27	18	50 h9	39,4	M4	M10	28,6	22,2	17,5	17	8	60	20
K0357.102535	35,3	23	56 h9	45,5	M4	M12	31,8	25,4	20,6	21	10	150	26,3
K0357.123442	42	29,3	69,5 h8	55,9	M5	M16	39,6	31,8	27	22	14	280	44,5
K0357.123452	51,5	29,3	75,5 h9	63,9	M5	M16	39,6	31,8	27	22	14	280	44,5
K0357.163077	77,7	29,3	107,5 h9	92,5	M6	M16	45,5	37,6	32,3	20	14	280	44,5
K0357.1630103	103	29,3	132,9 h9	118	M6	M16	45,5	37,6	32,3	20	14	280	44,5
K0357.1630175	175	29,3	132,9 h9	118	M6	M16	45,5	37,6	32,3	20	14	280	44,5

