

Crank handles revolving grip, square socket

Item description/product images



Description

Material:

Crank aluminium.
Cylinder grip thermoplastic and steel.

Version:

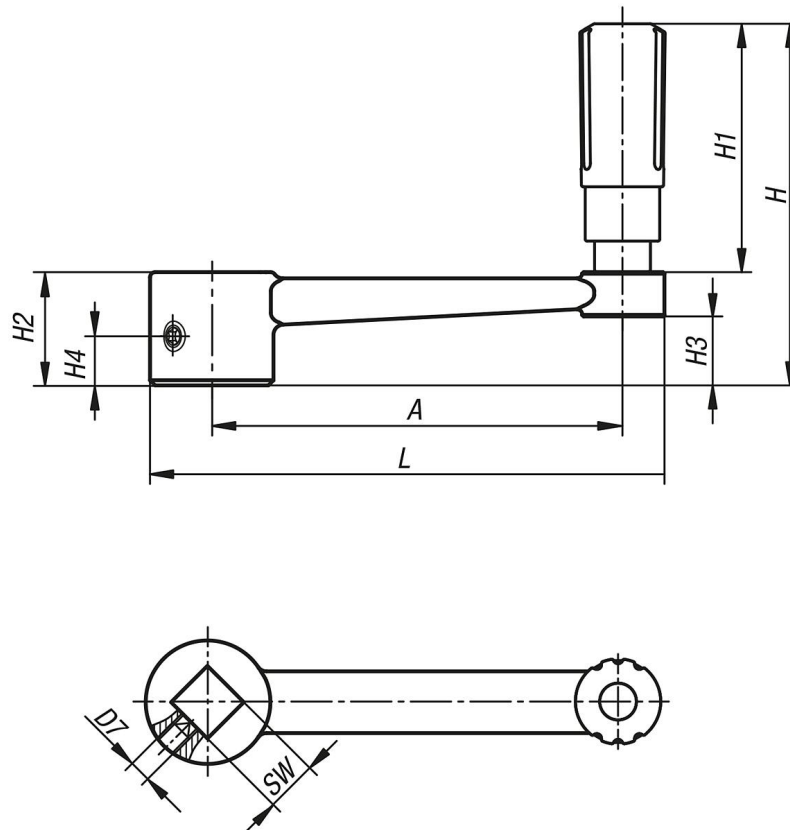
Crank black powder-coated.
Thermoplastic black grey.
Steel parts black oxidised.

Note:

Similar to DIN 469.
Versions with transverse bore are secured using the ISO 4027 (DIN 914) grub screw.

Crank handles revolving grip, square socket

Drawings



Overview of items

Order No.	Version 1	Version 2	A	D	D3	D7	H	H1	H2	H3	H4	L	SW
K0996.4110	square socket	without transverse hole	80	24	16	-	71,1	49,1	22	13,4	-	100	10
K0996.4212	square socket	without transverse hole	100	28	20	-	87,4	61,4	26	16	-	124	12
K0996.4314	square socket	without transverse hole	125	30	25	-	110,5	82,5	28	15,8	-	153	14
K0996.4417	square socket	without transverse hole	160	34	25	-	114,5	82,5	32	19,6	-	190	17
K0996.41106	square socket	with transverse bore	80	24	16	M6	71,1	49,1	22	13,4	7,5	100	10
K0996.42126	square socket	with transverse bore	100	28	20	M6	87,4	61,4	26	16	7,5	124	12
K0996.43146	square socket	with transverse bore	125	30	26	M6	111	83	28	15,8	7,5	153	14
K0996.44176	square socket	with transverse bore	160	34	26	M6	115	83	32	19,6	7,5	190	17