

Spring plungers smooth version without collar, stainless steel

Item description/product images



Description

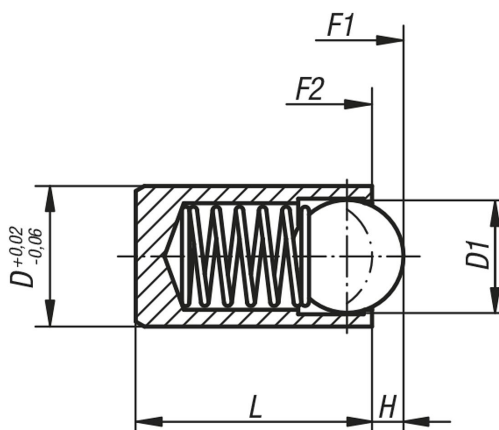
Material:

Sleeve and spring stainless steel.
Ball stainless steel or POM.

Version:

Ball hardened, bright.

Drawings



Overview of items

Spring plungers smooth version, without collar, stainless steel

Order No.	Component material	D	D1	H	L	Spring force initial pressure F1 approx. N	Spring force final pressure F2 approx. N
K0335.305	POM	5	4	0,9	12	19	30
K0335.312	POM	12	10	3,1	24	54	122
K0335.203	stainless steel	3	2	0,65	7	5	7
K0335.204	stainless steel	4	3	0,8	9	12	22
K0335.205	stainless steel	5	4	1	12	19	30
K0335.206	stainless steel	6	5	1,5	14	22	40
K0335.208	stainless steel	8	6	1,8	16	42	73
K0335.210	stainless steel	10	8	2,7	22	54	100
K0335.212	stainless steel	12	10	3,2	24	54	122
K0335.304	POM	4	3	0,6	9	12	22
K0335.306	POM	6	5	1,3	14	22	40
K0335.308	POM	8	6	1,7	16	42	73
K0335.310	POM	10	8	2,6	22	54	100

