

## Pull handles, oval aluminium

### Item description/product images



### Description

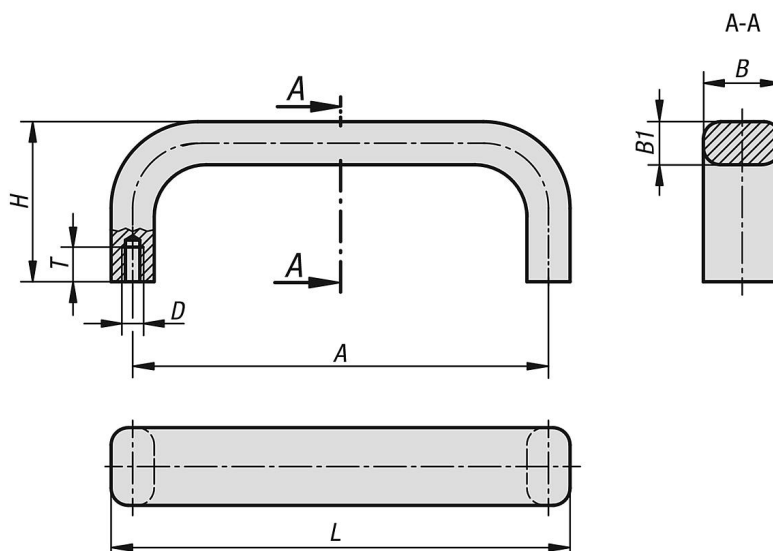
**Material:**  
Aluminium.

**Version:**  
Matt-finished, anodised black or natural tone.

**Note for ordering:**  
Fastening screws included.

**Assembly:**  
From the rear.

### Drawings



### Overview of items

#### Pull handles

Order No.	Colour	A	B	B1	D	H	L	T	Load capacity N
K1091.055053	natural anodized	55	12	8	M5	29	63	10	750
K1091.088053	natural anodized	88	12	8	M5	29	96	10	750
K1091.100053	natural anodized	100	12	8	M5	39	108	10	750
K1091.120053	natural anodized	120	15	10	M5	39	130	10	750
K1091.180053	natural anodized	180	15	10	M5	39	190	10	750
K1091.235053	natural anodized	235	15	10	M5	39	245	10	750
K1091.055051	black anodised	55	12	8	M5	29	63	10	750
K1091.088051	black anodised	88	12	8	M5	29	96	10	750
K1091.100051	black anodised	100	12	8	M5	39	108	10	750
K1091.120051	black anodised	120	15	10	M5	39	130	10	750
K1091.180051	black anodised	180	15	10	M5	39	190	10	750
K1091.235051	black anodised	235	15	10	M5	39	245	10	750

