

Central screw Type B

Item description/product images

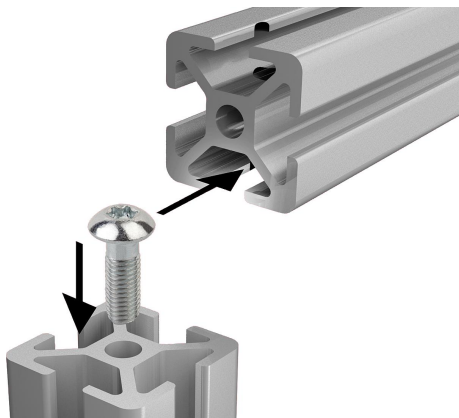


Description

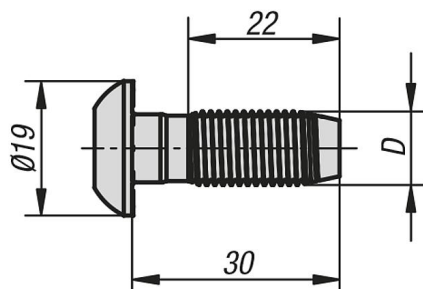
Material:
Steel.

Version:
Electro zinc-plated.

Note:
Self-tapping screw for end face core hole. Ideal for fastenings without an angle or additional connectors not exposed to high loads.



Drawings



Central screw Type B

Overview of items

Central screw Type B

Order No.	Type	Slot width	D	SW
K1040.1012	B	10	S12	Torx T50