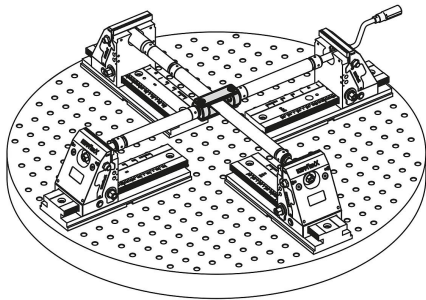


Couplings for cross-clamping

Item description/product images



Description

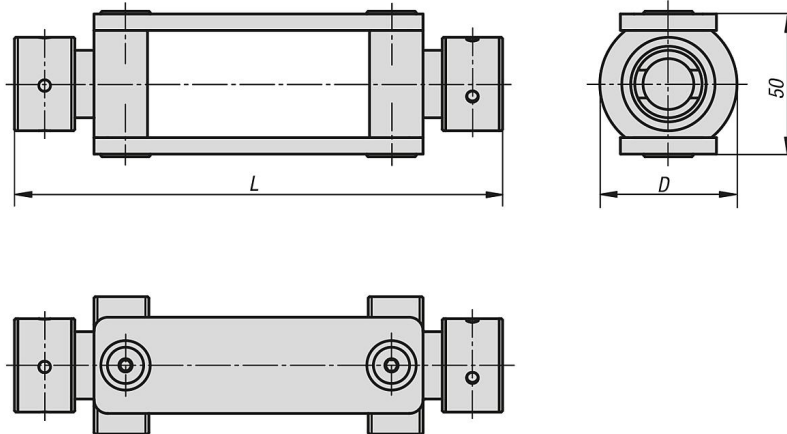
Material:
Carbon steel.

Version:
Black oxidised.

Note:
With the coupling for cross-clamping, two 5-axis clamping systems compact / KIPPflexX can be connected with each other.
This enables workpieces to be clamped from four sides.
To enable the coupling for cross-clamping to be precisely centred on the transverse spindle, a threaded spindle and a spindle nut is required for each end.
These items must be ordered separately as accessories under the following numbers:
Threaded spindle K1555.999.008
Spindle nut K0940.999.003

Attention:
Due to the design of the coupling, the maximum clamping depth for cross clamping is 12mm.

Drawings



Overview of items

Order No.	D	L
K0992.178	50	178