

## Crank handles aluminium with safety grip and square socket

### Item description/product images

---



### Description

**Material:**

Crank aluminium.  
Cylinder grip thermoplastic and steel.

**Version:**

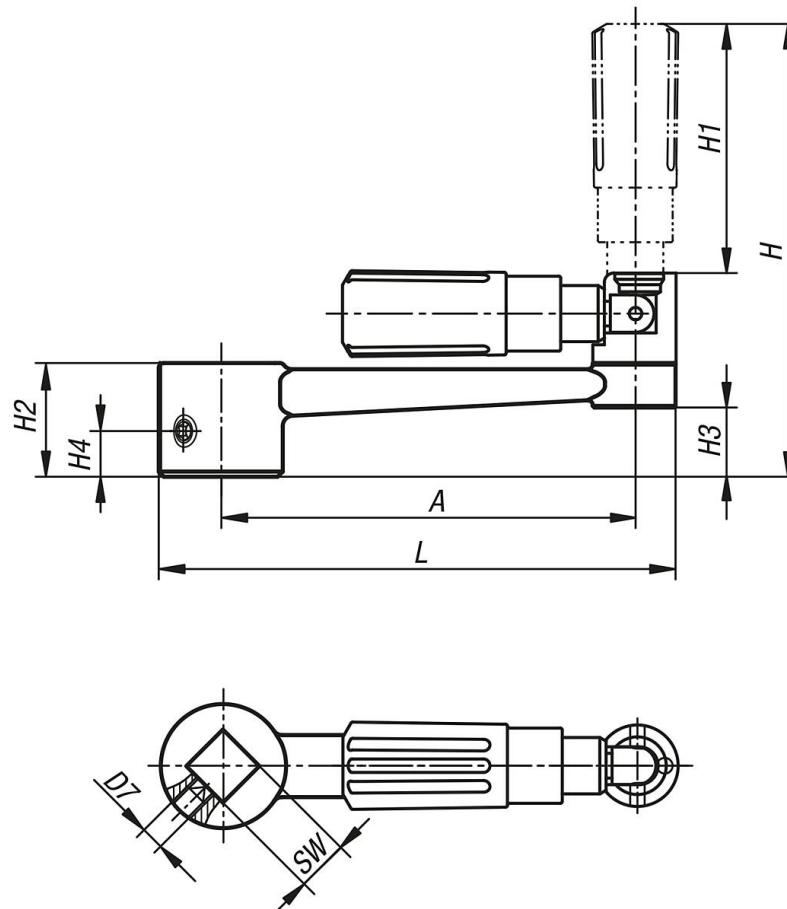
Crank black powder-coated.  
Thermoplastic black grey.  
Steel parts black oxidised.

**Note:**

Similar to DIN 469.  
Versions with transverse bore are secured using the ISO 4027 (DIN 914) grub screw.

# Crank handles aluminium with safety grip and square socket

## Drawings



## Overview of items

Order No.	Version 1	Version 2	A	D	D3	D7	H	H1	H2	H3	H4	L	SW
K0997.2110	square socket	without transverse hole	80	24	16	-	89	49	22	13,4	-	100	10
K0997.2212	square socket	without transverse hole	100	28	20	-	108	59,5	26	16	-	124	12
K0997.2314	square socket	without transverse hole	125	30	25	-	140	83	28	15,8	-	153	14
K0997.2417	square socket	without transverse hole	160	34	25	-	144	83	32	19,6	-	190	17
K0997.21106	square socket	with transverse bore	80	24	16	M6	89	49	22	13,4	7,5	100	10
K0997.22126	square socket	with transverse bore	100	28	20	M6	107,9	59,4	26	16	7,5	124	12
K0997.23146	square socket	with transverse bore	125	30	26	M6	140,5	83,5	28	15,8	7,5	153	14
K0997.24176	square socket	with transverse bore	160	34	26	M6	144,5	83,5	32	19,6	7,5	190	17