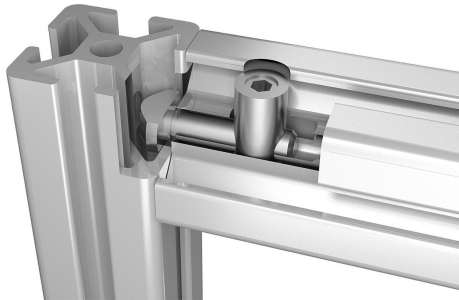
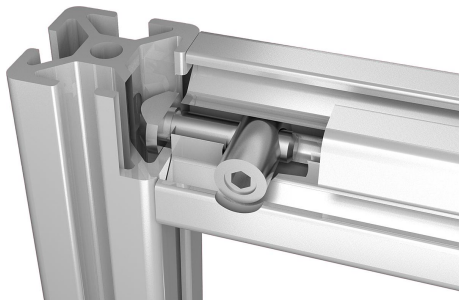


## Connecting sets central Type I

### Item description/product images



### Description

**Material:**

Steel.

**Version:**

Electro zinc-plated.

**Note:**

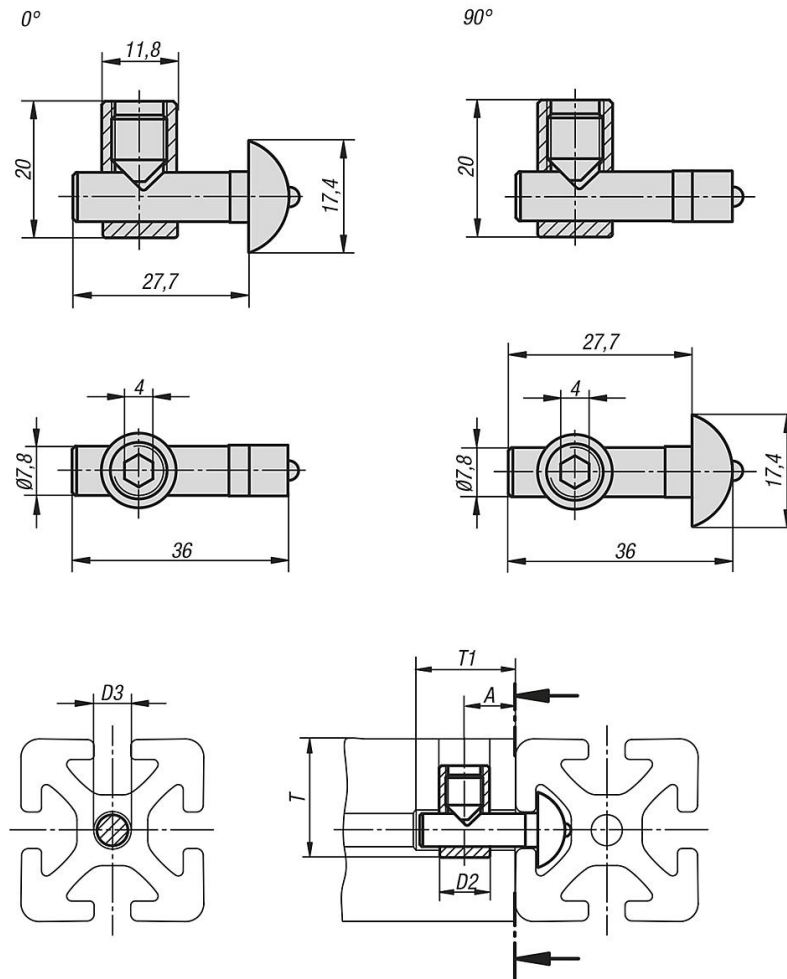
The connecting sets are used to connect two aluminium profiles at right angles. They allow free position of the profiles. The profile slots positioned at right-angles to each other remain free. Panel elements can be positioned in the profile grooves without additional machining.

Due to the reduced clamping force and omitted rotation locks, these connecting sets should only be used in combination with panel elements and lightly loaded constructions.

Low workload. To assemble a hole must be drilled into one of the profiles and the core hole must be drilled out.

**Connecting sets central Type I**

**Drawings**



**Overview of items**

**Connecting sets central Type I**

Order No.	Type	Slot width	Version	A	D2	D3	T	T1
K1033.0800	I	8	0°	15	12	8	28	28
K1033.0890	I	8	90°	15	12	8	28	28