

Tubular handles, aluminium with plastic grip legs, Form A

Item description/product images



Description

Material:

Grip aluminium EN AW-6060.
Legs glass-bead reinforced polyamide.

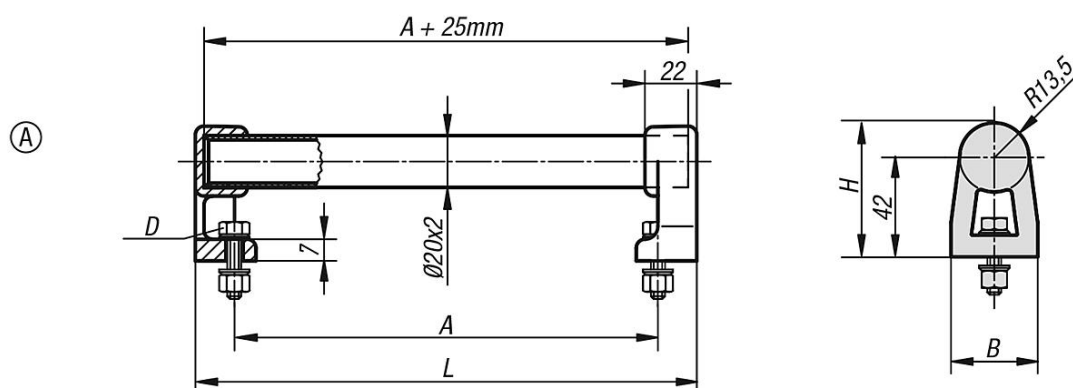
Version:

Grip natural colour anodised or with black serrated plastic cover.

Note:

The legs have 2 or 4 PVC profile pins in the hole for the grip tube. When pushing the tube in these are trimmed off and produce a precise seating.
Black electro zinc-plated fastening screws, suitable washers and nuts are supplied.

Drawings



Overview of items

Tube handles

Order No.	Main colour	Form	A	B	D	H	L	Load capacity N
K0223.150203	natural	A	150	32	M5x20	55,5	184	1000
K0223.200203	natural	A	200	32	M5x20	55,5	234	1000
K0223.300203	natural	A	300	32	M5x20	55,5	334	1000
K0223.400203	natural	A	400	32	M5x20	55,5	434	1000
K0223.500203	natural	A	500	32	M5x20	55,5	534	1000
K0223.150202	black	A	150	32	M5x20	55,5	184	1000
K0223.200202	black	A	200	32	M5x20	55,5	234	1000
K0223.300202	black	A	300	32	M5x20	55,5	334	1000
K0223.400202	black	A	400	32	M5x20	55,5	434	1000
K0223.500202	black	A	500	32	M5x20	55,5	534	1000