

Tubular handles, aluminium with powder coated grip legs

Item description/product images



Description

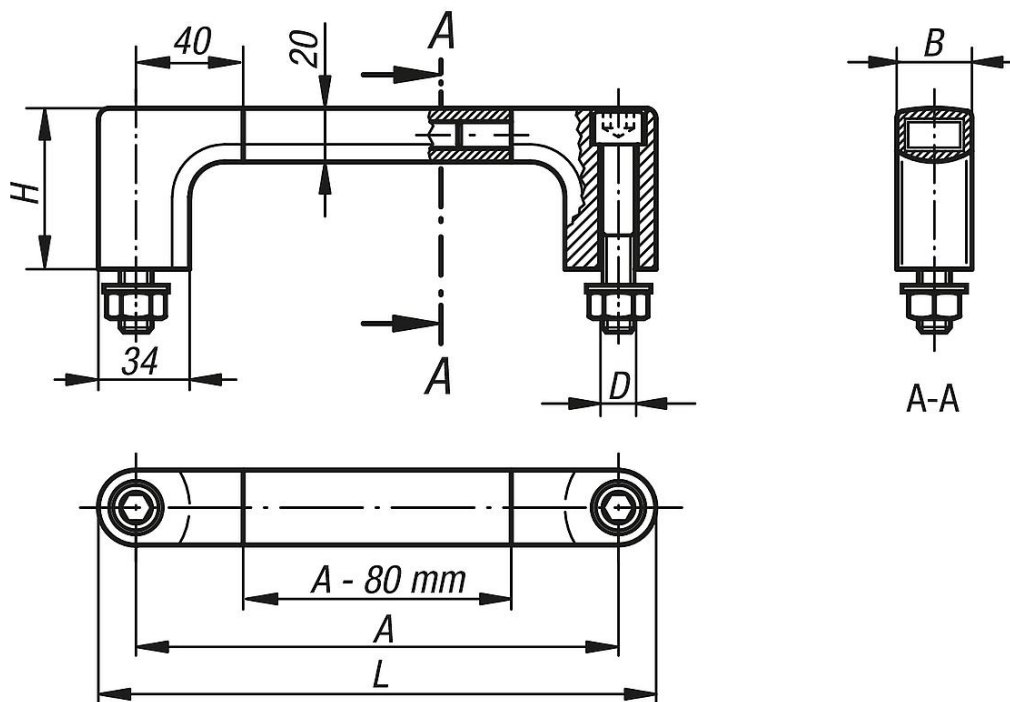
Material:
Aluminium.

Version:
Leg black powder-coated.
Grip natural colour anodised.

Note:
Black electro zinc-plated M12x70 cap screws, suitable washers and nuts for fastening are supplied.

Assembly:
From the front.

Drawings



Overview of items

Tubular handles

Order No.	A	B	D	H	L	Load capacity N
K0209.180	180	28	M12	60	208	1000
K0209.200	200	28	M12	60	228	1000
K0209.250	250	28	M12	60	278	1000
K0209.300	300	28	M12	60	328	1000
K0209.350	350	28	M12	60	378	1000
K0209.400	400	28	M12	60	428	1000

Tubular handles, aluminium with powder coated grip legs

Overview of items

Order No.	A	B	D	H	L	Load capacity N
K0209.500	500	28	M12	60	528	1000
K0209.600	600	28	M12	60	628	1000