

Angles

Item description/product images



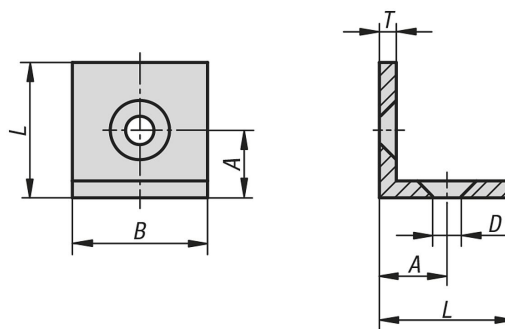
Description

Material:
Steel.

Version:
black powder-coated.

Note:
Universal fastening element for a rigid connection and linkage of profiles, panel elements or lightweight shelving.

Drawings



Overview of items

Angles

Order No.	Slot width	Main colour	Surface finish body	Type	A	B	D for screw	L	T
K1043.061	6	black	powder-coated	I	15	30	M6	30	3
K1043.081	8/10	black	powder-coated	I	20	40	M8	40	5

