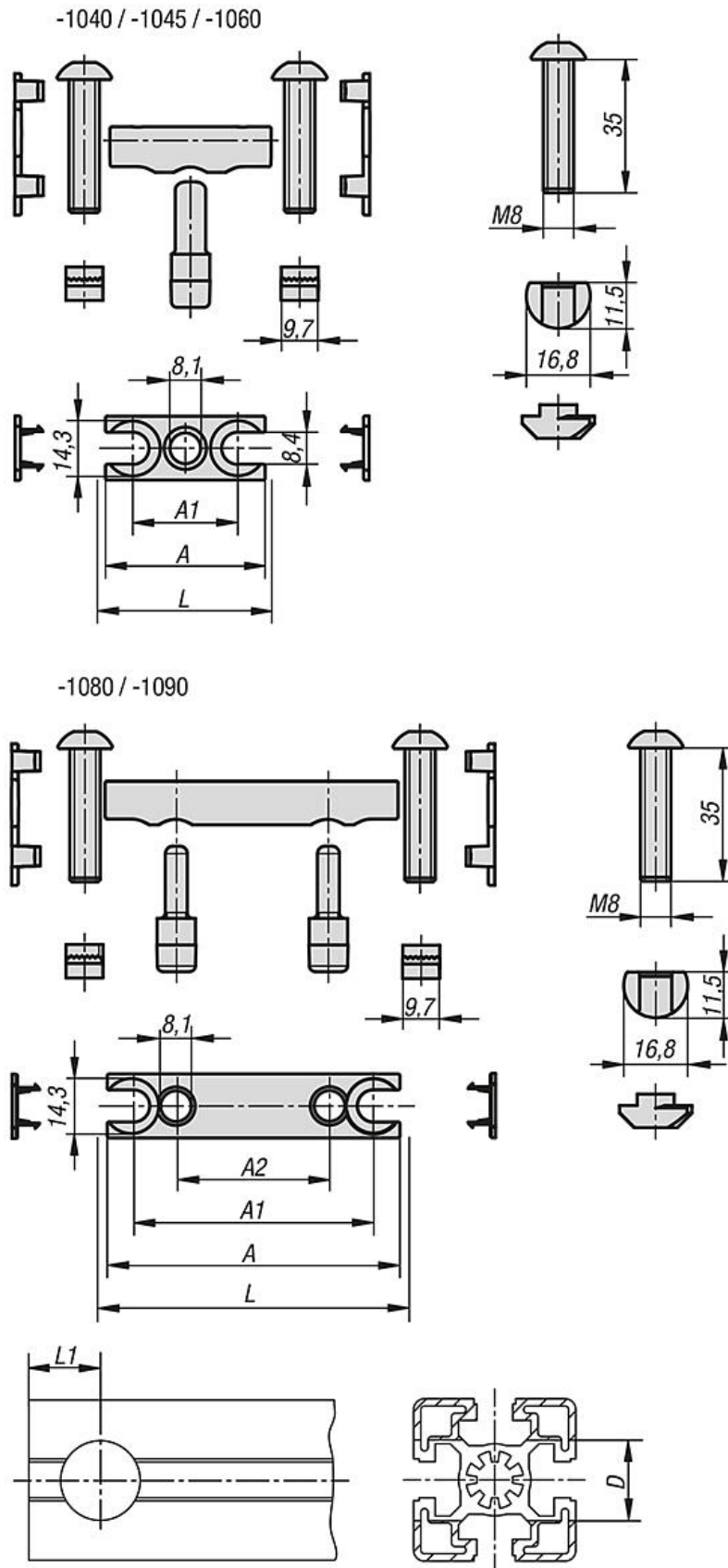


Pin connector sets Type B

Drawings



Pin connector sets Type B

Overview of items

Pin connector sets Type B

Order No.	Type	Slot width	A	A1	A2	D	L	L1
K1038.0828	B	8	28	18	-	11	-	18
K1038.1040	B	10	37	23	-	17	40	22,5
K1038.1045	B	10	42	28	-	17	45	22,5
K1038.1060	B	10	57	43	-	17	60	22,5
K1038.1080	B	10	77	63	40	17	80	22,5
K1038.1090	B	10	87	73	45	17	90	22,5