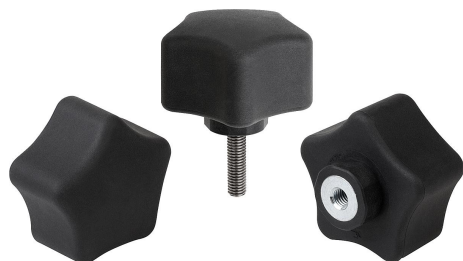


Five lobe grips ergonomic

Item description/product images



Description

Material:

Hard components fibreglass reinforced plastic.

Soft components thermoplastic elastomer.

Bush or screw, steel grade 5.8 or stainless steel 1.4305.

Version:

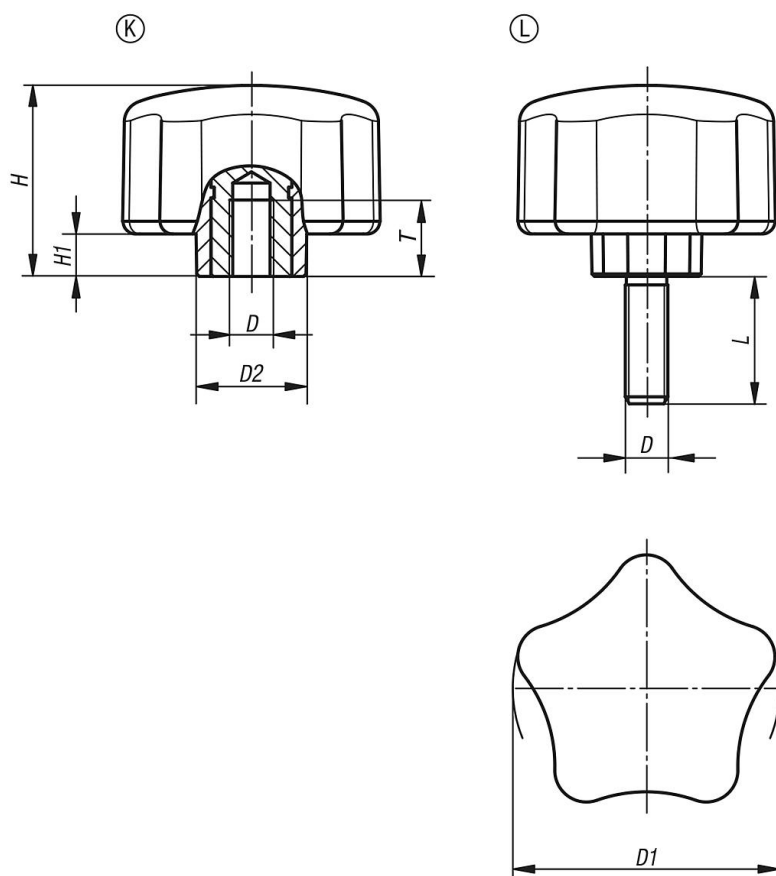
Steel trivalent blue passivated.

Stainless steel, bright.

Note:

The colour combination black grey RAL 7021 (hard components) and black grey RAL 7021 (soft components) are supplied as standard.

Drawings



Overview of items

Five lobe grips ergonomic with internal thread

Five lobe grips ergonomic

Overview of items

Order No.	Form	Component material	D	D1	D2	H	H1	T	L
K0786.6308	K	steel	M8	63	26	45	10	17	-
K0786.6310	K	steel	M10	63	26	45	10	17	-
K0786.06308	K	stainless steel	M8	63	26	45	10	17	-
K0786.06310	K	stainless steel	M10	63	26	45	10	17	-
K0786.6308X20	L	steel	M8	63	26	45	10	-	20
K0786.6308X25	L	steel	M8	63	26	45	10	-	25
K0786.6308X30	L	steel	M8	63	26	45	10	-	30
K0786.6308X40	L	steel	M8	63	26	45	10	-	40
K0786.6310X30	L	steel	M10	63	26	45	10	-	30
K0786.6310X40	L	steel	M10	63	26	45	10	-	40
K0786.6310X50	L	steel	M10	63	26	45	10	-	50
K0786.06308X20	L	stainless steel	M8	63	26	45	10	-	20
K0786.06308X25	L	stainless steel	M8	63	26	45	10	-	25
K0786.06308X30	L	stainless steel	M8	63	26	45	10	-	30
K0786.06308X40	L	stainless steel	M8	63	26	45	10	-	40
K0786.06310X30	L	stainless steel	M10	63	26	45	10	-	30
K0786.06310X40	L	stainless steel	M10	63	26	45	10	-	40
K0786.06310X50	L	stainless steel	M10	63	26	45	10	-	50