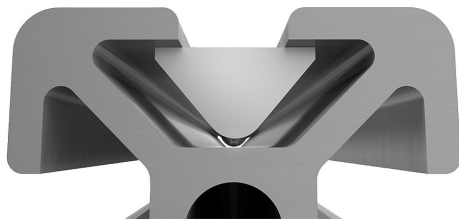
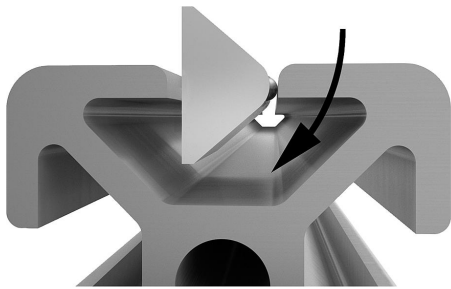


Slot nuts twist-in Type I

Item description/product images



Description

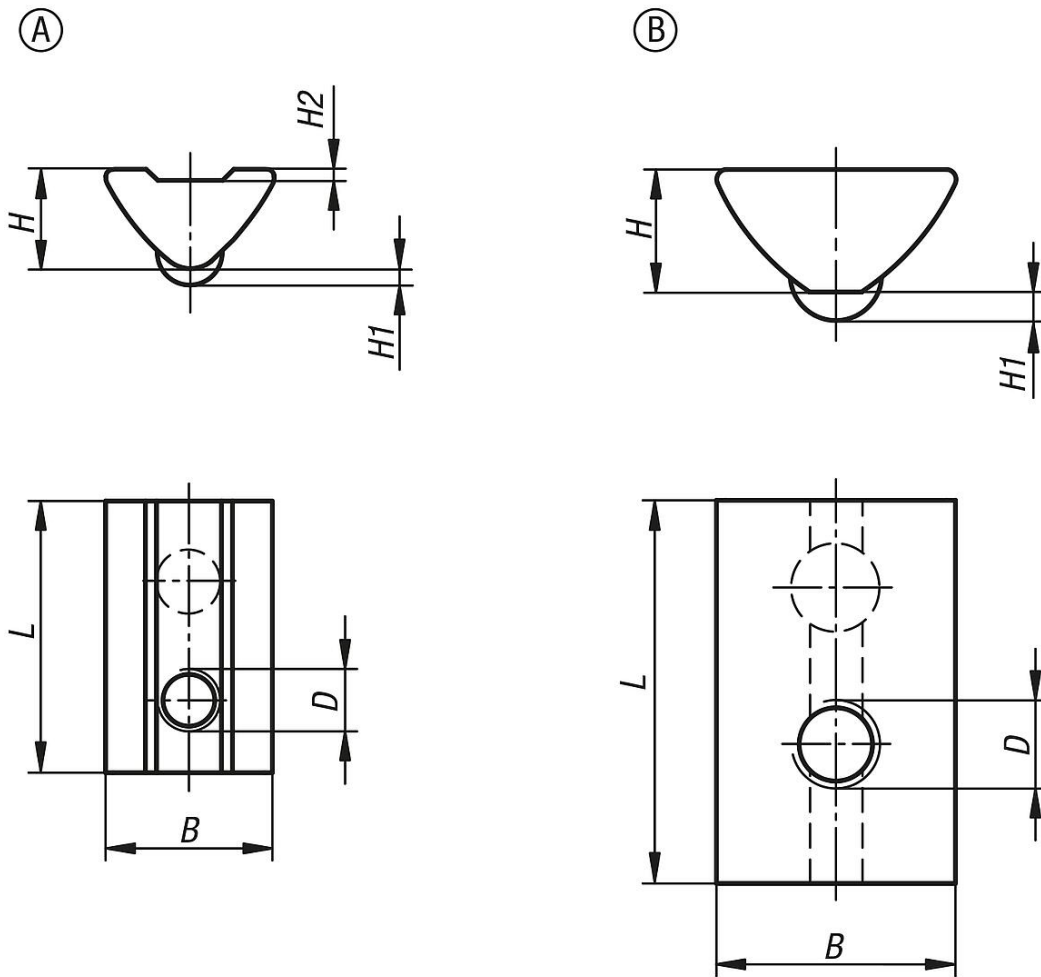
Material:
Steel.

Version:
Electro zinc-plated.

Note:
The slot nut is twisted into the profile slot and so can be subsequently inserted into existing systems. The spring-loaded ball allows the nut to be fixated anywhere in the profile slot.

Slot nuts twist-in Type I

Drawings



Overview of items

Slot nuts twist-in Type I

Order No.	Form	Slot width	D	B	H	H1	H2	L
K1023.0604	A	6	M4	10,5	6,3	1	0,7	17
K1023.0605	A	6	M5	10,5	6,3	1	0,7	17
K1023.0606	A	6	M6	10,5	6,3	1	0,7	17
K1023.0804	B	8	M4	13,7	7	1,7	0,7	22
K1023.0805	B	8	M5	13,7	7	1,7	0,7	22
K1023.0806	B	8	M6	13,7	7	1,7	0,7	22
K1023.0808	B	8	M8	13,7	7	1,7	0,7	22