

Disc handwheels without grip, stainless steel bush, Form E, with reamed hole

Item description/product images



Description

Material:

Black thermoset PF 31.

Hub bright stainless steel 1.4305.

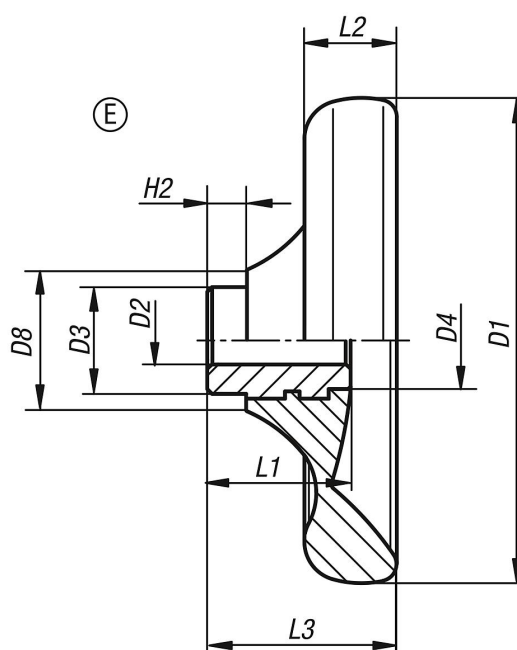
Version:

High-gloss polished.

On request:

Other reamed hole sizes.

Drawings



Overview of items

Order No.	Version 1	Form	D1	D2	D3	D4	D8	H2	L1	L2	L3
K0165.3100X10	reamed hole	E	100	10H7	22	20	29	8	29,5	19	39
K0165.3125X12	reamed hole	E	125	12H7	26	21	34	8	34	24	46
K0165.3140X14	reamed hole	E	140	14H7	30	25	39	8	38,5	27	52
K0165.3160X16	reamed hole	E	160	16H7	33	30	43	8	41,3	30,1	57
K0165.3160X18	reamed hole	E	160	18H7	33	30	43	8	41,3	30,1	57

Disc handwheels without grip, stainless steel bush, Form E, with reamed hole

Overview of items
