

UNILOCK protective bolt for clamping module

Item description/product images

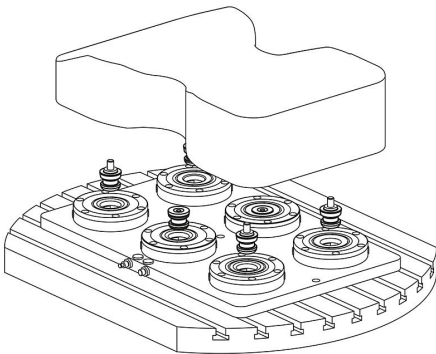
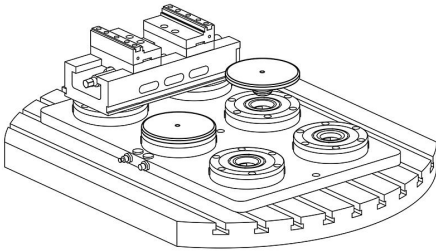


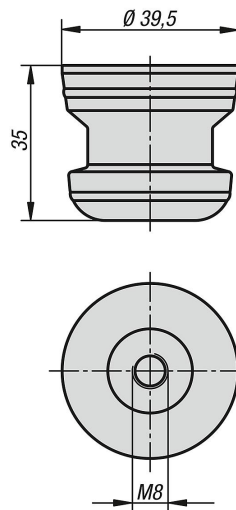
Description

Material:
Aluminium.

Version:
anodised.

Note:
Protection bolt to cover the hole.



UNILOCK protective bolt for clamping module**Drawings****Overview of items****UNILOCK protective bolt for clamping module**

Order No.	Dimensions
K1010.040	see drawing