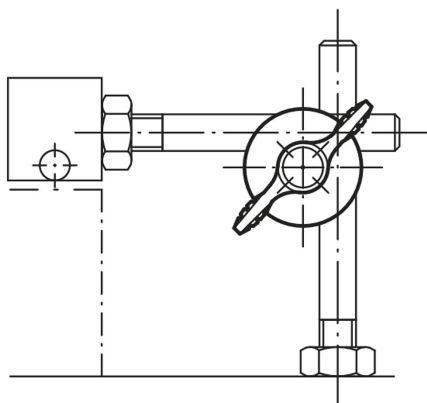


## Clamping joints individually adjustable

### Item description/product images



### Description

#### Material:

Wing grip:  
grip black grey thermoplastic.  
Screw steel 5.8.  
Remaining components:  
high-strength aluminium.

#### Version:

Steel parts trivalent blue-passivated.  
Aluminium nickel silver anodised.

#### Note:

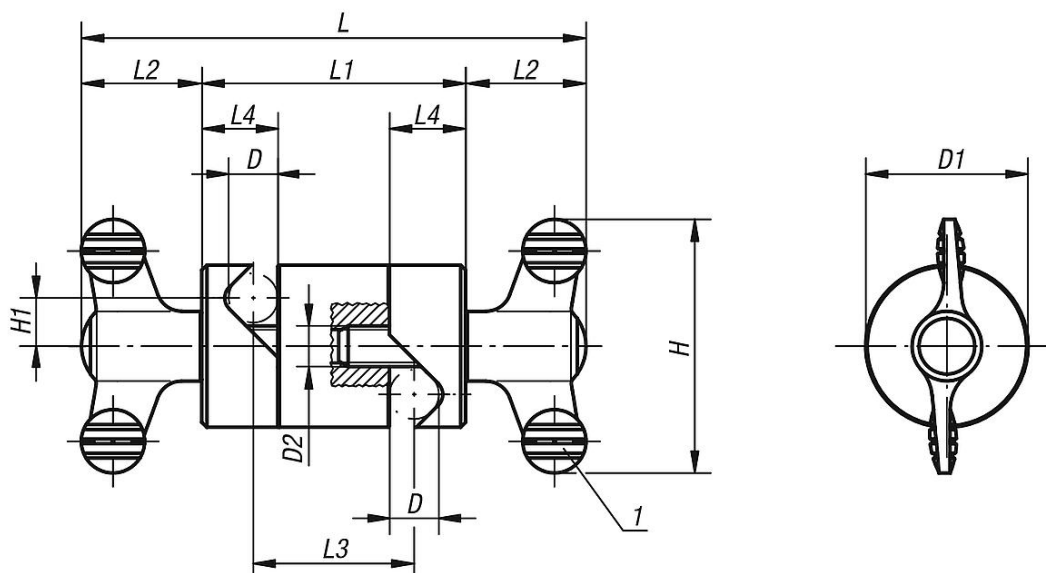
Clamping joints are used to clamp round cross sections (bars, tubes, etc.) and are individually and infinitely adjustable.

The simple design together with the wing grip permits rapid clamping.

#### Drawing reference:

1) wing grip

### Drawings



### Overview of items

#### Clamping joints individually adjustable

Order No.	D	D1	D2	H	H1	L	L1	L2	L3	L4
K0134.01	8	28	M8	50	8,5	90	42	24	24	13
K0134.02	10	32	M8	50	9,5	100	52	24	32	15
K0134.03	12	36	M8	50	10,5	104	56	24	34	17

## Clamping joints individually adjustable

### Overview of items

Order No.	D	D1	D2	H	H1	L	L1	L2	L3	L4
K0134.04	16	45	M10	75	13,5	143,2	72	35,6	44	22
K0134.05	20	74	M10	75	22	173,2	102	35,6	62	30