

Tubular handles, carbon with stainless steel grip legs

Item description/product images



Description

Material:

Grip legs stainless steel 1.4308.

Tubular grip carbon fibre reinforced plastic (CFP).

Version:

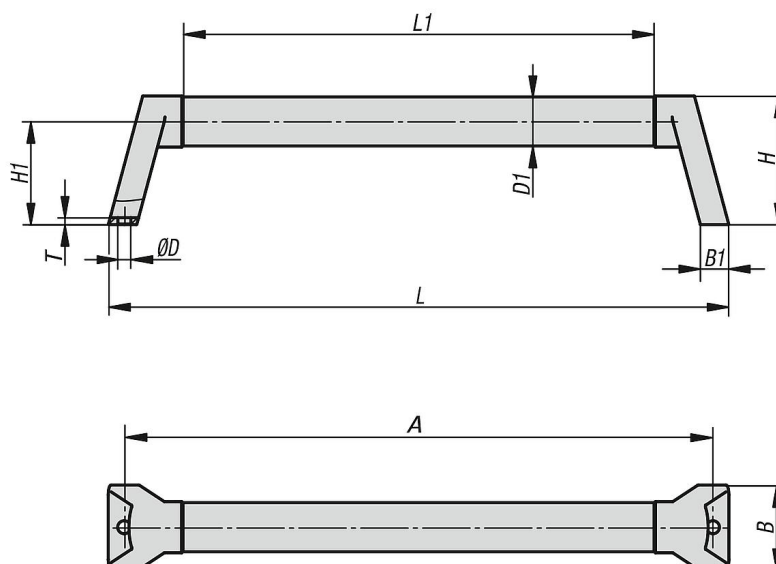
Grip legs polished.

Tubular grip CFP composition, clear varnished.

Note:

The grip is fastened using stainless steel DIN EN ISO 4017 hexagon head screws.

Drawings



Overview of items

Tubular handles carbon

Order No.	A	B	B1	D	D1	H	H1	L	L1	T	Load capacity N
K0782.250251	250	43	14,5	6,6	25	65,5	52,5	266	190	3,5	1000
K0782.300251	300	43	14,5	6,6	25	65,5	52,5	316	240	3,5	1000
K0782.350251	350	43	14,5	6,6	25	65,5	52,5	366	290	3,5	1000
K0782.350351	350	57,7	18,6	6,6	35	85,5	67,5	371	270	4,5	1000
K0782.400351	400	57,7	18,6	6,6	35	85,5	67,5	421	320	4,5	1000
K0782.450351	450	57,7	18,6	6,6	35	85,5	67,5	471	370	4,5	1000